



19 WATTS  
0.24 AMPS  
120VAC

120/24 VAC Trans-  
former Located under  
Actuator Cover

Separate 120 VAC  
Or 24 VAC Power  
Supply Required

Chiller Main  
Unit Control  
Panel J2 1A15  
2-10 VDC  
Signal Source

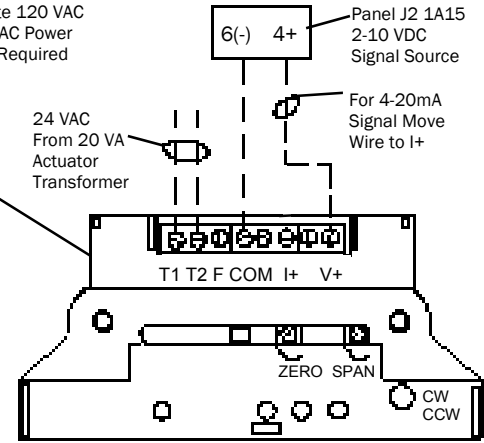
24 VAC  
From 20 VA  
Actuator  
Transformer

For 4-20mA  
Signal Move  
Wire to I+

ACTUATOR HAS 4 TO 1 LEVER  
OR TORQUING ADVANTAGE

160 DEG ACTUATOR TO 70 DEG VALVE  
ROTATION OR A 2.3 TO 1 RATIO MORE  
THAN DOUBLES THROTTLING DISC  
REPOSITIONS (RESOLUTION)

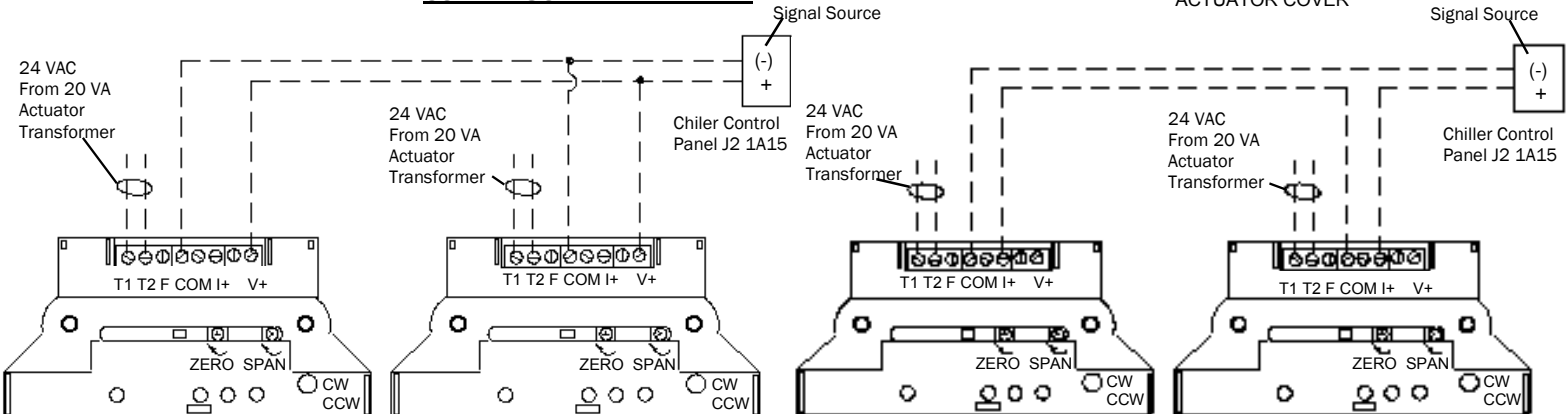
MOUNT VALVE IN  
CNW RETURN



Q7230A ACTUATOR INTERFACE  
MODULE LOCATED UNDER  
ACTUATOR COVER

4-20 mA  
Signal Source

## CONDENSOR WATER VALVE



### LARGE CHILLER HEAD PRESSURE CONTROL REQUIRING (2) 0-10 VDC ACTUATORS WIRING IS SAME FOR 1/3-2/3 VALVE SETUPS

Set 1/3 Valve Assembly for  
0-5 VDC & the 2/3 Assembly  
For 5-10 VDC  
For Dual Actuator Applica-  
tions set them both for 0-10  
VDC

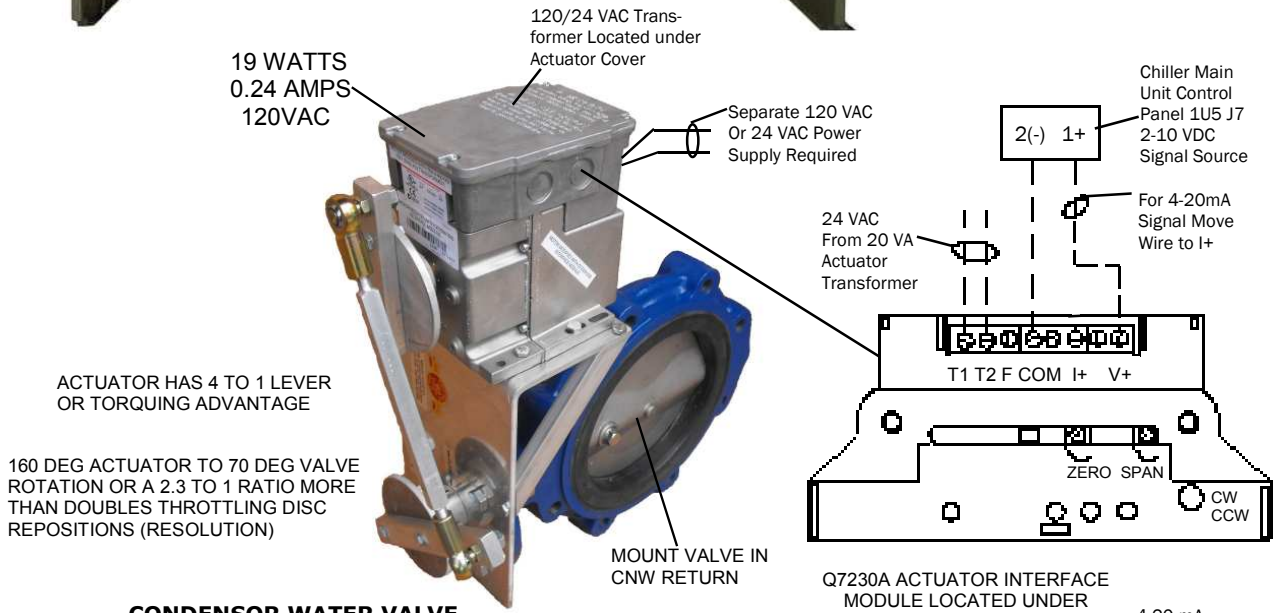
### LARGE CHILLER HEAD PRESSURE CONTROL REQUIRING (2) 4-20mA ACTUATORS WIRING IS SAME FOR 1/3-2/3 VALVE SETUPS

Set 1/3 Valve Assembly for  
4-12 mA & the 2/3 Assem-  
bly For 12-20 mA  
For Dual Actuator applica-  
tion set them both for 4-20  
mA

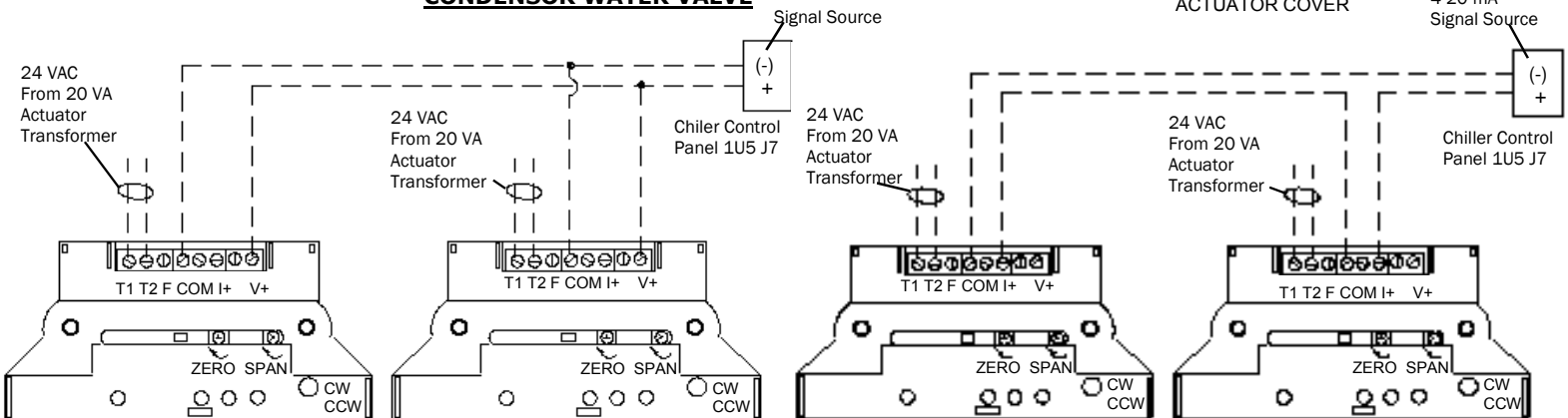


**WESLEY VALVE CO.**

MFGRS OF AUTOMATED BUTTERFLY VALVES  
4938 S. Atlanta Rd., Ste. 100  
Atlanta, GA 30339  
PHN: (404) 351-8744 FAX: (404) 351-9340  
[www.Wesleyvalve.com](http://www.Wesleyvalve.com)



### CONDENSOR WATER VALVE



### LARGE CHILLER HEAD PRESSURE CONTROL REQUIRING (2) 0-10 VDC ACTUATORS WIRING IS SAME FOR 1/3-2/3 VALVE SETUPS

Set 1/3 Valve Assembly for 0-5 VDC & the 2/3 Assembly For 5-10 VDC  
 For Dual Actuator Applications set them both for 0-10 VDC

### LARGE CHILLER HEAD PRESSURE CONTROL REQUIRING (2) 4-20mA ACTUATORS WIRING IS SAME FOR 1/3-2/3 VALVE SETUPS

Set 1/3 Valve Assembly for 4-12 mA & the 2/3 Assembly For 12-20 mA  
 For Dual Actuator application set them both for 4-20 mA



**WESLEY VALVE CO.**

MFGRS OF AUTOMATED BUTTERFLY VALVES  
 4938 S. Atlanta Rd., Ste. 100  
 Atlanta, GA 30339  
 PHN: (404) 351-8744 FAX: (404) 351-9340  
[www.Wesleyvalve.com](http://www.Wesleyvalve.com)