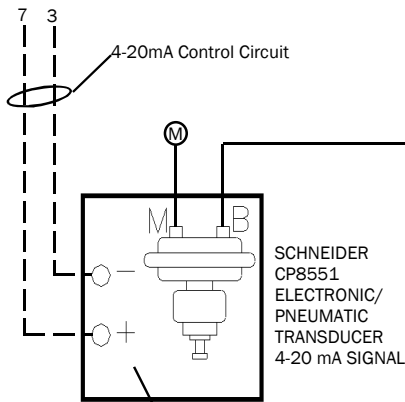


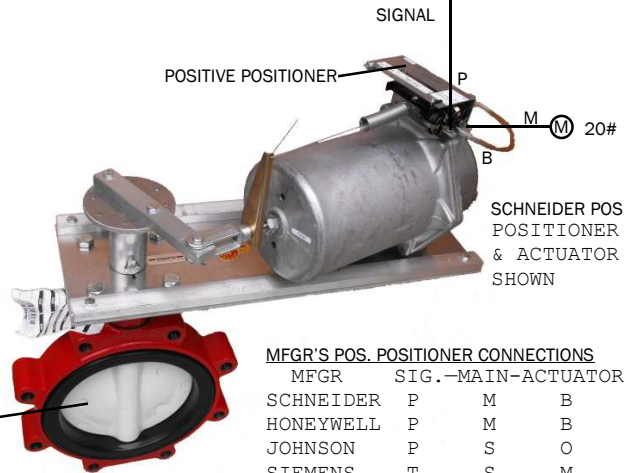
YORK YVWA SCREW CHILLER PNEUMATIC HEAD PRESS CONTROL



Chiller Control &
I/O Board
Term Strip (J15)
4-20 mA Signal
Source



Use for 4-20 mA Signal



MFGR'S POS. POSITIONER CONNECTIONS			
MFGR	SIG.	-MAIN-ACTUATOR	
SCHNEIDER	P	M	B
HONEYWELL	P	M	B
JOHNSON	P	S	O
SIEMENS	T	S	M

PNEUMATIC CONDENSOR WATER VALVE



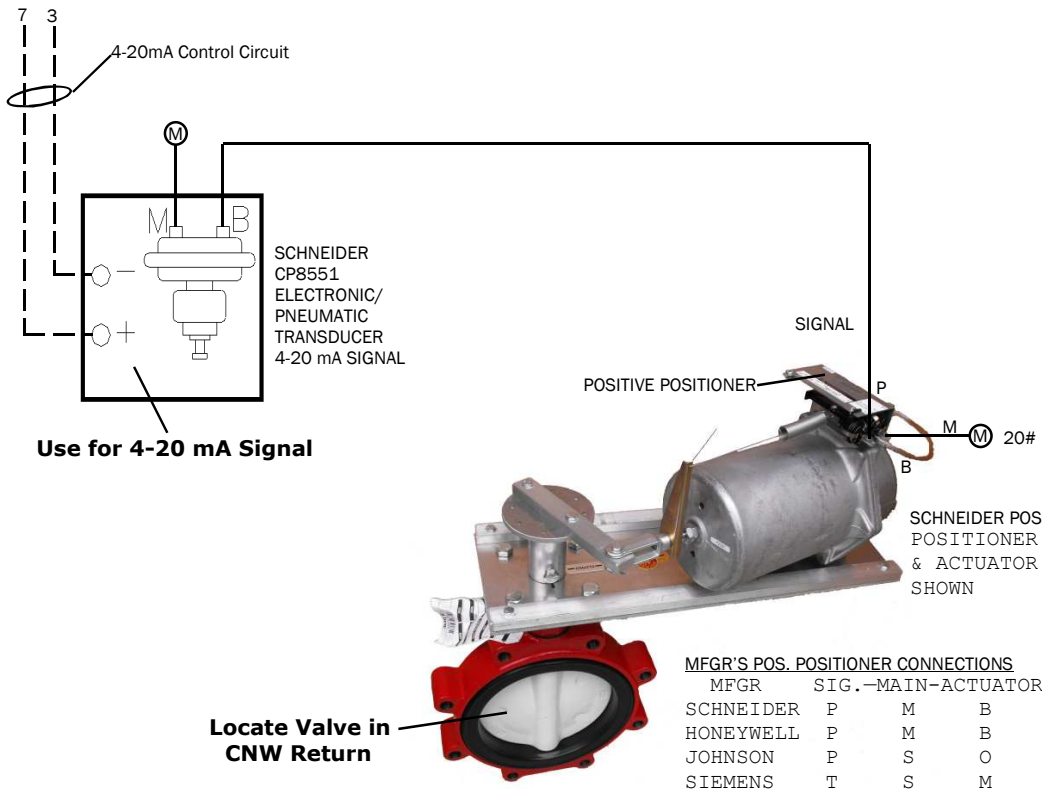
WESLEY VALVE CO.

MFGRS OF AUTOMATED BUTTERFLY VALVES
4938 S. Atlanta Rd., Ste. 100
Atlanta, GA 30339
PHN: (404) 351-8744 FAX: (404) 351-9340
www.Wesleyvalve.com

YORK YVWA CENTRIFUGAL CHILLER PNEUMATIC HEAD PRESS CONTROL



Chiller Control &
I/O Board
Term Strip (J15)
4-20 mA Signal
Source



PNEUMATIC CONDENSOR WATER VALVE



WESLEY VALVE CO.

MFGRS OF AUTOMATED BUTTERFLY VALVES
4938 S. Atlanta Rd., Ste. 100
Atlanta, GA 30339
PHN: (404) 351-8744 FAX: (404) 351-9340
www.Wesleyvalve.com