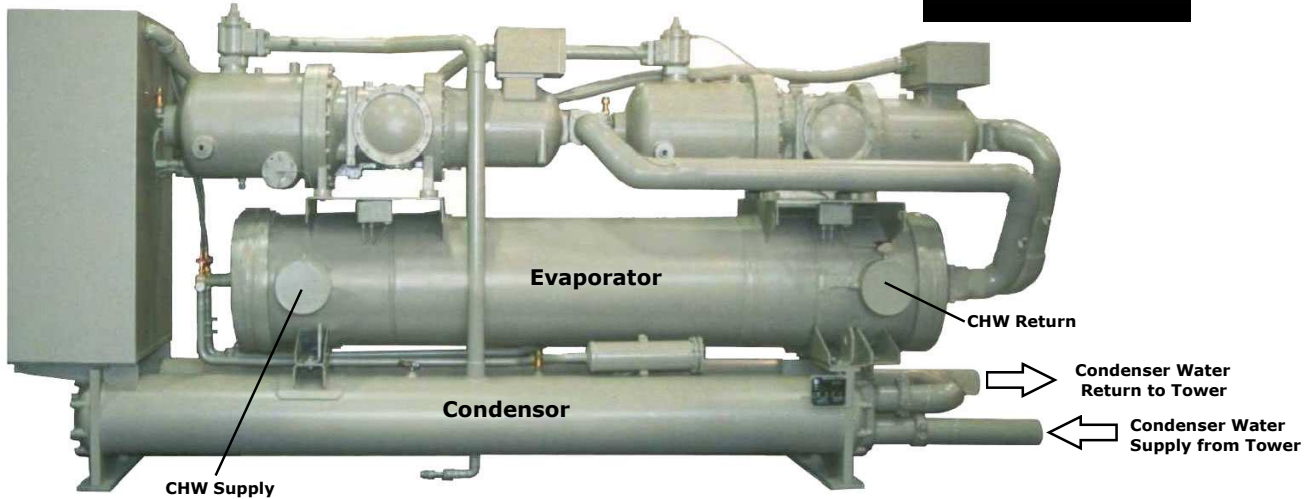


HEAD PRESSURE VALVE WIRING FOR SCREW CHILLERS



19 WATTS
0.24 AMPS
120VAC

120/24 VAC Trans-
former Located under
Actuator Cover

Separate 120 VAC
Or 24 VAC Power
Supply Required

Chiller Control
Panel TB1
0-10 VDC
Signal Source

24 VAC
From 20 VA
Actuator
Transformer

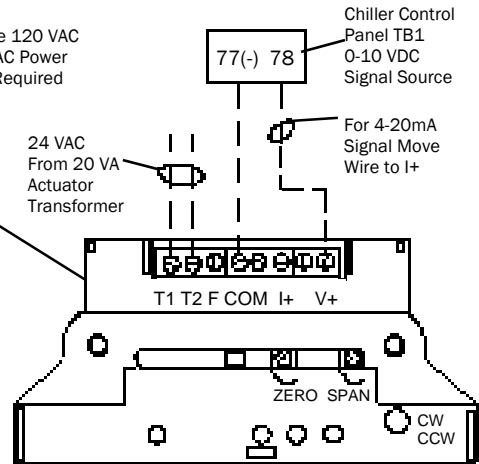
For 4-20mA
Signal Move
Wire to I+

ACTUATOR HAS 4 TO 1 LEVER
OR TORQUING ADVANTAGE

160 DEG ACTUATOR TO 70 DEG VALVE
ROTA- TION OR A
2.3 TO 4 RATIO
MORE → Condenser Water
Return to Tower
← Condenser Water
Supply from Tower

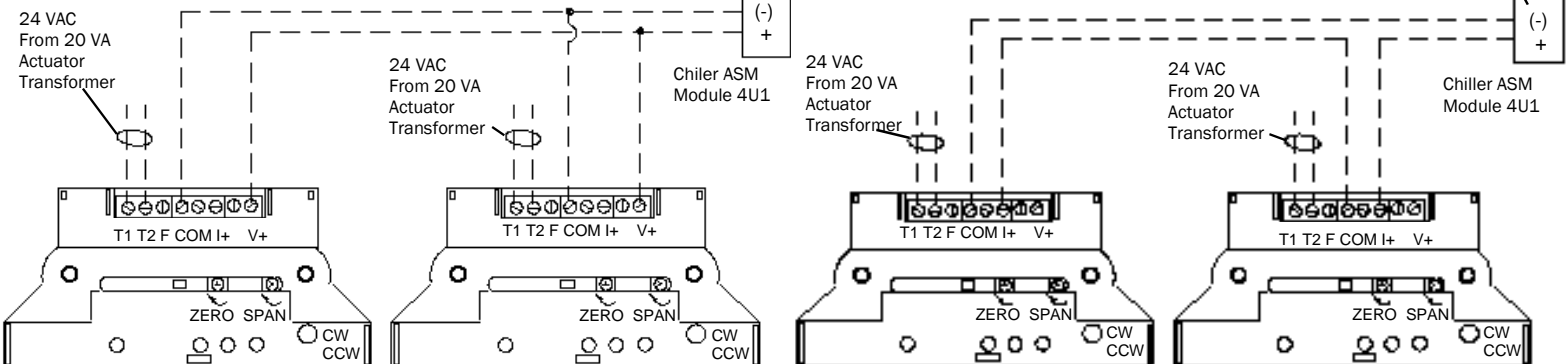
← Condenser Water
Supply from Tower
CONDENSER WATER VALVE

MOUNT VALVE IN
CNW RETURN



Q7230A ACTUATOR INTERFACE
MODULE LOCATED UNDER
ACTUATOR COVER

4-20 mA
Signal Source



**LARGE CHILLER HEAD PRESSURE CONTROL
REQUIRING (2) 0-10 VDC ACTUATORS
WIRING IS SAME FOR 1/3-2/3 VALVE SETUPS**

**LARGE CHILLER HEAD PRESSURE CONTROL
REQUIRING (2) 4-20mA ACTUATORS
WIRING IS SAME FOR 1/3-2/3 VALVE SETUPS**

Set 1/3 Valve Assembly for
0-5 VDC & the 2/3 Assembly
For 5-10 VDC
For Dual Actuator Applica-
tions set them both for 0-10
VDC

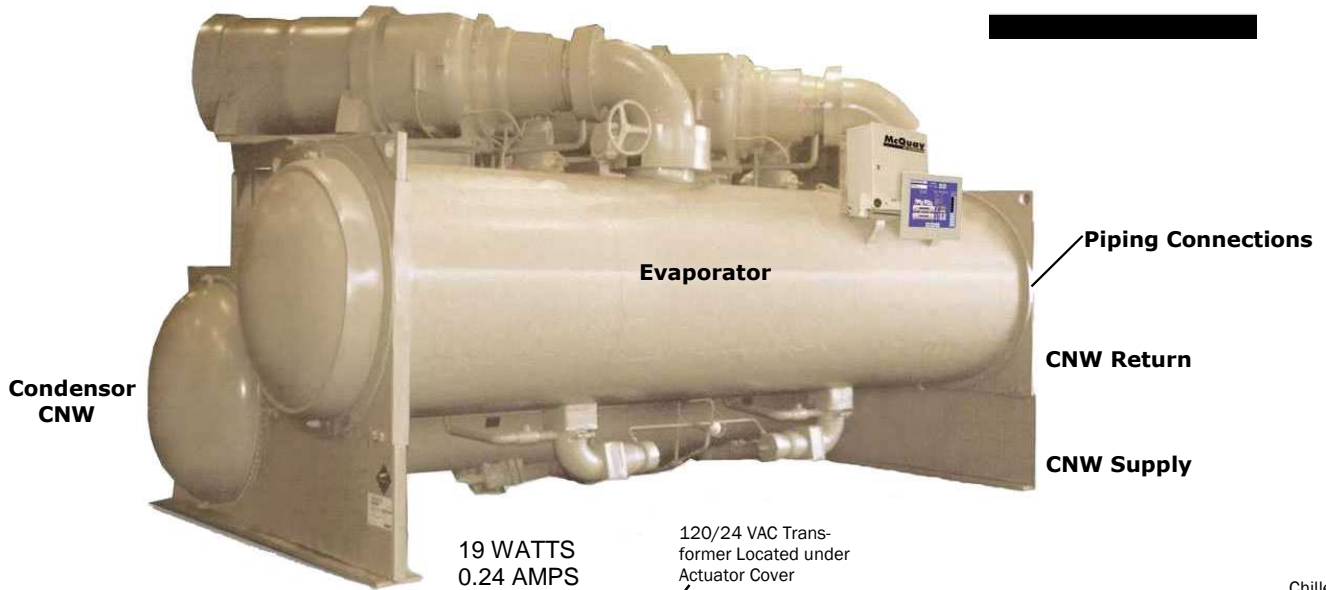
Set 1/3 Valve Assembly for
4-12 mA & the 2/3 Assem-
bly For 12-20 mA
For Dual Actuator applica-
tion set them both for 4-20
mA



WESLEY VALVE CO.

MFGRS OF AUTOMATED BUTTERFLY VALVES
4938 S. Atlanta Rd., Ste. 100
Atlanta, GA 30339
PHN: (404) 351-8744 FAX: (404) 351-9340
www.Wesleyvalve.com

HEAD PRESSURE VALVE WIRING FOR CENTRIFUGAL CHILLERS



19 WATTS
0.24 AMPS
120VAC

120/24 VAC Trans-
former Located under
Actuator Cover

Separate 120 VAC
Or 24 VAC Power
Supply Required

Chiller Micro-
tech Control
Panel UTB1
0-10 VDC
Signal Source

24 VAC
From 20 VA
Actuator
Transformer

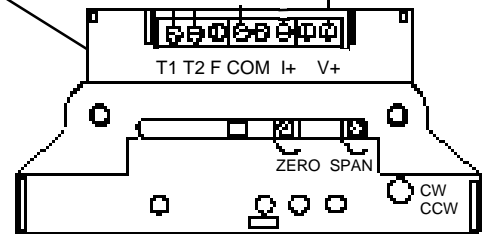
71(-) 52

For 4-20mA
Signal Move
Wire to I+

ACTUATOR HAS 4 TO 1 LEVER
OR TORQUING ADVANTAGE

160 DEG ACTUATOR TO 70 DEG VALVE
ROTATION OR A 2.3 TO 1 RATIO MORE
THAN DOUBLES THROTTLING DISC
REPOSITIONS (RESOLUTION)

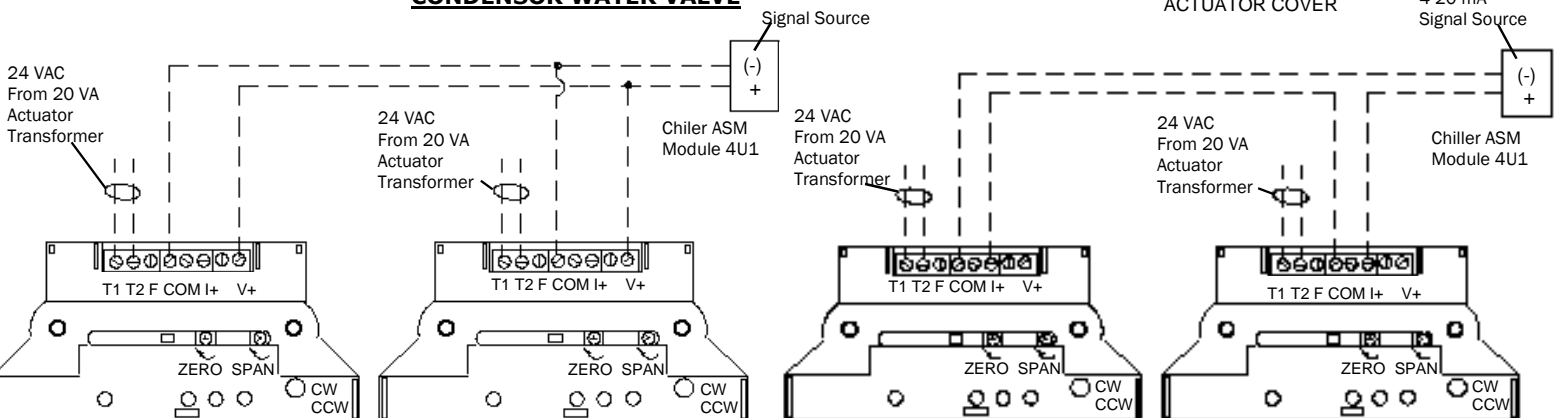
MOUNT VALVE IN
CNW RETURN



Q7230A ACTUATOR INTERFACE
MODULE LOCATED UNDER
ACTUATOR COVER

4-20 mA
Signal Source

CONDENSOR WATER VALVE



**LARGE CHILLER HEAD PRESSURE CONTROL
REQUIRING (2) 0-10 VDC ACTUATORS
WIRING IS SAME FOR 1/3-2/3 VALVE SETUPS**

**LARGE CHILLER HEAD PRESSURE CONTROL
REQUIRING (2) 4-20mA ACTUATORS
WIRING IS SAME FOR 1/3-2/3 VALVE SETUPS**

Set 1/3 Valve Assembly for
0-5 VDC & the 2/3 Assembly
For 5-10 VDC
For Dual Actuator Applica-
tions set them both for 0-10
VDC

Set 1/3 Valve Assembly for
4-12 mA & the 2/3 Assem-
bly For 12-20 mA
For Dual Actuator applica-
tion set them both for 4-20
mA



WESLEY VALVE CO.

MFGRS OF AUTOMATED BUTTERFLY VALVES
4938 S. Atlanta Rd., Ste. 100
Atlanta, GA 30339

PHN: (404) 351-8744 FAX: (404) 351-9340

www.Wesleyvalve.com