



NOW AVAILABLE FOR SHIPMENT

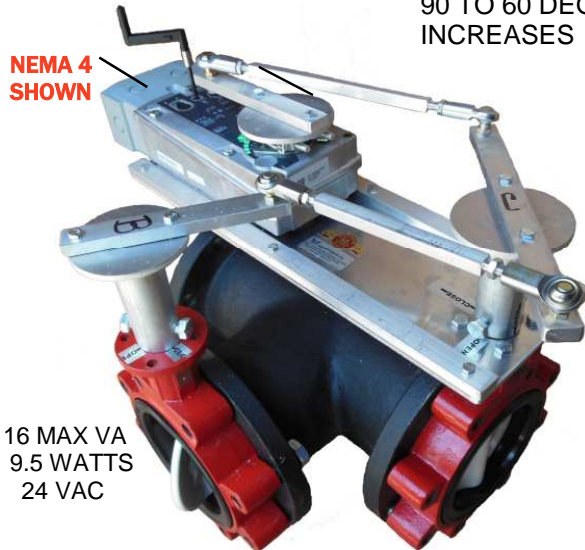
AUTOMATED BUTTERFLY VALVES WITH Schneider Electric SmartX ACTUATORS SPRING RETURN VALVE ASSEMBLIES AVAILABLE 2" THROUGH 16"

MX4X-6343 & 6153 NON-SPRING RETURN ACTUATORS
MX4X-7153, 7173, & 7303 SPRING RETURN ACTUATORS

OPTIONAL WEATHERPROOF
ACTUATORS FOR OUTDOOR USE

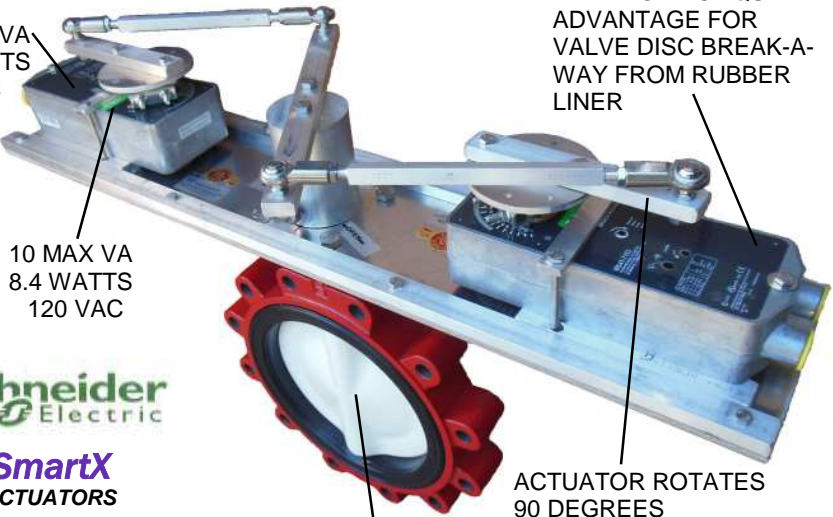
PRECISE CONTROL REQUIRES NUMEROUS MODULATING VALVE DISC REPOSITIONS —

90 TO 60 DEGREE (1.5 TO 1 RATIO) VALVE TURN ASSEMBLY
INCREASES VALVE DISC POSITIONS (RESOLUTION) BY 50%



3-WAY VALVE ARRANGEMENTS

9.7 MAX VA
7.5 WATTS
24 VAC



SmartX
ACTUATORS

Schneider
Electric

SmartX
ACTUATORS

10 MAX VA
8.4 WATTS
120 VAC

ACTUATOR HAS 4 TO 1
LEVER OR TORQUE
ADVANTAGE FOR
VALVE DISC BREAK-A-
WAY FROM RUBBER
LINER

ACTUATOR ROTATES
90 DEGREES

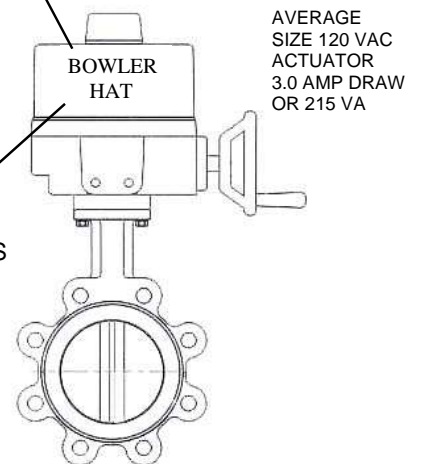
VALVE DISC ROTATES 70 DEGREES

ADVANTAGE OF SELECTING A VALVE ASSEMBLY WITH

Schneider Electric SmartX ACTUATORS

- A.) Valve Assembly at Low Cost
- B.) Superior Modulating Resolution for 0-10 VDC/4-20mA Control Signals
- C.) Minimal Replacement of Actuator During Warranty Period
- D.) 20 Year Life Expectancy
- E.) Optional NEMA 4 & NEMA 4 oil immersed SmartX Actuators for Washdown areas and Outdoor condensate prevention

BUTTERFLY VALVE ASSEMBLIES WITH 1/4 TURN BOWLER HAT TYPE ACTUATORS HAVE A LIMITED AMOUNT OF MODULATING VALVE DISC POSITIONS (RESOLUTION) RESULT-ING IN EXCESSIVE VALVE CYCLING, PREMATURE VALVE WEAROUT, AND BURN OUT



REQUIRES ELECTRIC
ANTI CONDENSATE
HEATER FOR OUTDOORS
OR HIGH HUMIDITY

DID YOU KNOW ?

WESLEY VALVE CO. IS THE ONLY SUPPLIER OF AUTOMATED BUTTERFLY VALVE ASSEMBLIES WITH Schneider Electric ACTUATORS LARGER THAN 5" (FIVE INCHES)

90 DEG 1/4 TURN VALVE ASSEMBLIES WITH BOWLER HAT TYPE ACTUATORS ARE NOT RECOMMENDED WHERE TIGHT & STABLE FLOW CONTROL IS REQUIRED



WESLEY VALVE CO.

MFGRS OF AUTOMATED BUTTERFLY VALVES
4938 S. Atlanta Rd., Ste. 100
Atlanta, GA 30339
PHN: (404) 351-8744 FAX: (404) 351-9340
www.wesleyvalve.com

SPRING RETURN VALVE ASSEMBLIES 2 TO 16" AVAILABLE

APPLICATIONS

- A. IDEALLY SUITED FOR CHILLER & COOLING TOWER ISOLATION
- B. COOLING TOWER MODULATING 3-WAY DIVERTING VALVE CONTROL

DIRECT COUPLED ACTION AS DESIGNED

SCHNEIDER ELECTRIC SERIES MX41-730X SPRING RETURN ACTUATOR'S TORQUE RATING IS 266 IN. LB. DUAL ACTUATOR TORQUE RATING IS 532 IN. LB.

REMOTE ROTARY ACTION

BREAK-A-WAY TORQUEING ADVANTAGE IS 5X OR 2660 IN. LB.

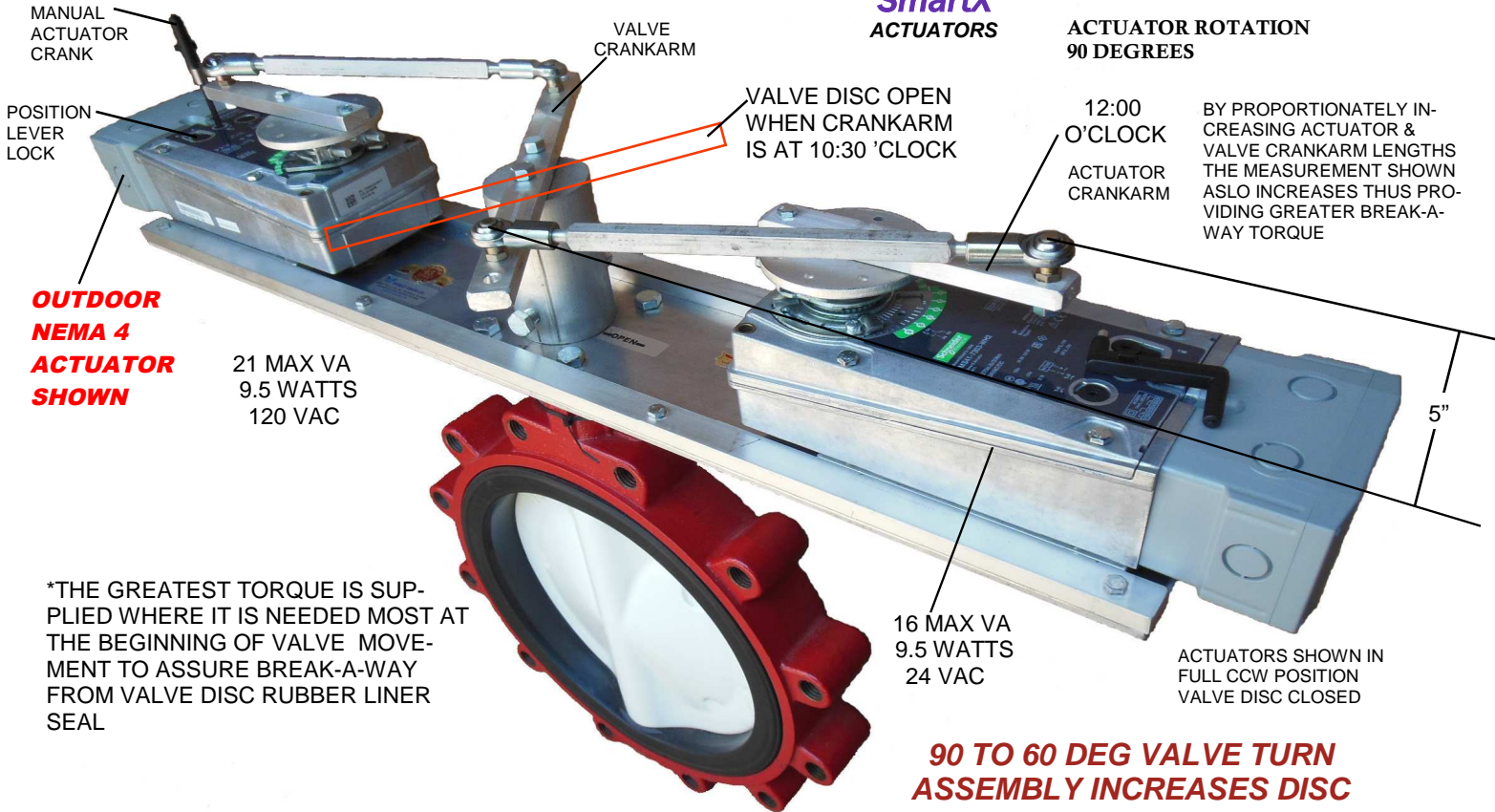
VALVE MID POSITION TO OPEN

VALVE DISC AT MID POSITION TO OPEN—TORQUEING ADVANTAGE DECREASES AT WORST TO (1.5 TO 1) 399 IN. LB. OR 798 IN. LB. FOR DUAL ACTUATORS



SmartX
ACTUATORS

ACTUATOR ROTATION
90 DEGREES



*THE GREATEST TORQUE IS SUPPLIED WHERE IT IS NEEDED MOST AT THE BEGINNING OF VALVE MOVEMENT TO ASSURE BREAK-A-WAY FROM VALVE DISC RUBBER LINER SEAL

90 TO 60 DEG VALVE TURN ASSEMBLY INCREASES DISC REPOSITIONS (RESOLUTION) BY 50%

VALVE ROTATION
70 DEGREES

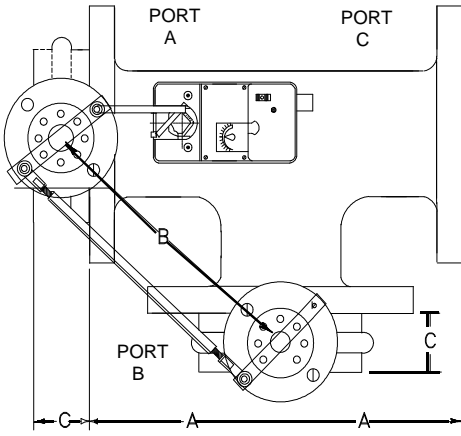
BUTTERFLY VALVE 2-WAY VALVE ASSEMBLY

AUTOMATED BUTTERFLY VALVES WITH Schneider Electric SmartX ACTUATORS
SPRING RETURN VALVE ASSEMBLIES AVAILABLE 2" THROUGH 16"



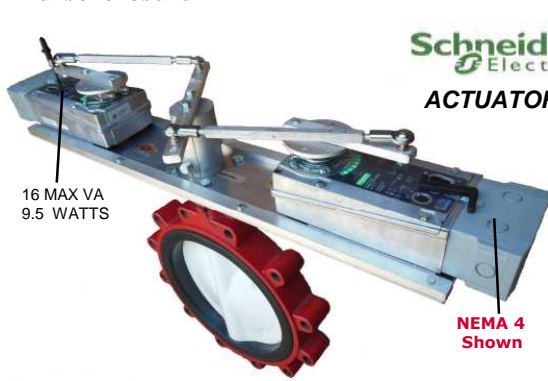
MFGRS OF AUTOMATED BUTTERFLY VALVES
4938 S. Atlanta Rd., Ste. 100
Atlanta, GA 30339
PHN: (404) 351-8744 FAX: (404) 351-9340
WWW.WESLEYVALVE.COM

AUTOMATED BUTTERFLY VALVES Schneider Electric SmartX ACTUATORS



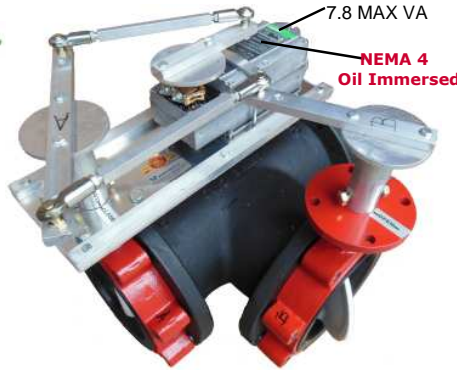
System pressure is normally not a resistance factor For 3-way valve disc closure

ACTUATOR PART # * = DUAL ACTUATORS	SIZE	A DIM.	B DIM.	C DIM.	Cv	Max. Close Rating	Bubble Leak Occur.
Mx41-615x, Mx4x-715x, 717x	2	4.5	7 1/2	1 5/8	84	125	125#
Mx41-615x, Mx4x-715x, 717x	2.5	5.0	8 1/4	1 3/4	163	125	125#
Mx41-615x, Mx4x-715x, 717x	3	5.5	9 3/16	1 3/4	267	110	125#
Mx41-615x, Mx4x-715x, 717x	4	6.5	10 3/4	2.0	496	110	50#
Mx41-615x, Nx4x-715x, 717x	5	7.5	12 1/4	2 1/8	775	95	50#
Mx41-615x, Mx4x-715x, 717x	6	8.0	13 15/16	2 1/8	1025	85	50#
Mx41-634x, Mx4x-730x	8	9.0	14 7/8	2 1/2	1862	85	50#
Mx41-634x, Mx41-730x	10	11	17 3/4	2 1/2	2948	75	50#
Mx41-634x, Mx41-730x	12	12	19 3/4	3.0	4393	60	50#
*Mx41-634x, *Mx41-730x	14	14	21 3/4	3.0	5939	70	50#
*Mx41-634x, *Mx41-730x	16	15	24 3/4	4.0	7867	60	50#

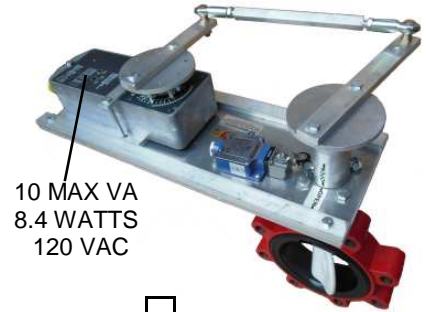


16 MAX VA
9.5 WATTS

Schneider Electric
ACTUATORS



7.8 MAX VA
NEMA 4
Oil Immersed



10 MAX VA
8.4 WATTS
120 VAC

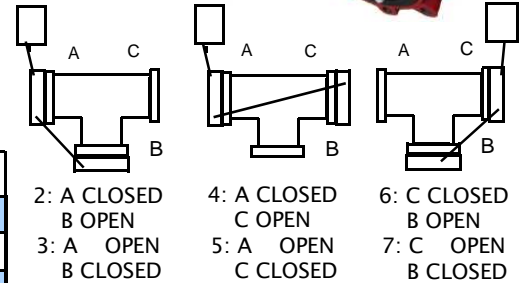
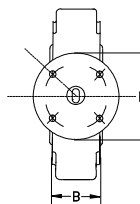
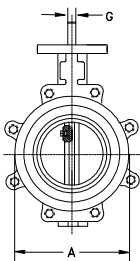
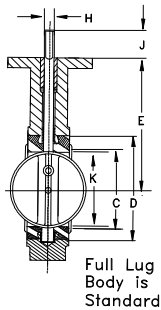
For Best Modulating Control Results Valves Are Adjusted For 70 Deg Max Opening

Ratings are Based on Bray Full Cut S31-119 & Keystone 222 Valve Bodies

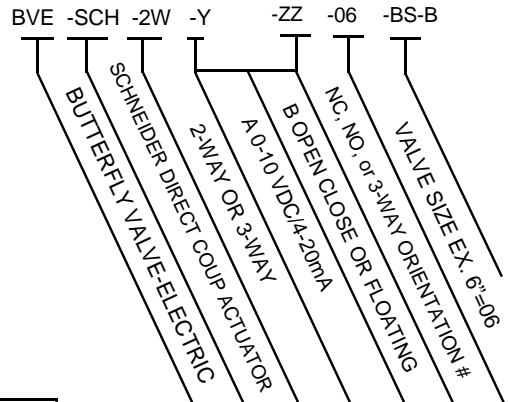
SIZE	CV VALUES							
2	144	84	61	43	27	16	7	1
2.5	282	163	107	67	43	24	11	1.5
3	461	267	154	96	61	35	15	2
4	841	496	274	171	109	62	27	3
5	1,376	775	428	268	170	98	43	5
6	1,850	1,025	567	354	225	129	56	6
8	3,316	1,862	1,081	680	421	241	102	12
10	5,430	2,948	1,710	1,076	667	382	162	19
12	8,077	4,393	2,563	1,594	1,005	555	235	27
14	10,538	5,939	3,384	2,149	1,320	756	299	34
16	13,966	7,867	4,483	2,847	1,749	1,001	397	45

DIMENSIONS

SIZE	A	B	D	E	F	G	H	J	K
2"	3.69	1.62	2.84	5.50	3.54	.55	.39	1.25	1.32
2.5"	4.19	1.75	3.34	6.00	3.54	.55	.39	1.25	1.91
3"	4.88	1.75	4.03	6.25	3.54	.55	.39	1.25	2.55
4"	6.06	2.00	5.16	7.00	3.54	.63	.43	1.25	3.57
5"	7.12	2.12	6.16	7.50	3.54	.75	.51	1.25	4.63
6"	8.12	2.12	7.02	8.00	3.54	.75	.51	1.25	5.45
8"	10.50	2.50	9.47	9.50	5.91	.87	.63	1.25	7.45
10"	12.75	2.50	11.47	10.75	5.91	1.18	.87	2.00	9.53
12"	14.88	3.00	9.47	9.50	5.91	1.18	.87	2.00	11.47
14"	17.05	3.00	15.28	13.62	5.91	1.38	N/A	2.00	13.04
16"	19.21	4.00	17.41	14.75	5.91	1.38	N/A	2.00	14.85



3-WAY VALVE ORIENTATIONS



Part Numbering System

BS = Valve Bump Switch
B = Bray, K = Keystone
WP = NEMA 4 WeatherProof
RF = Retrofit Kit



WESLEY VALVE CO.

MFGRS OF AUTOMATED BUTTERFLY VALVES
4938 S. Atlanta Rd., Ste. 100
Atlanta, GA 30339
PHN: (404) 351-8744
FAX: (404) 351-9340
www.wesleyvalve.com