



# NOW AVAILABLE FOR SHIPMENT

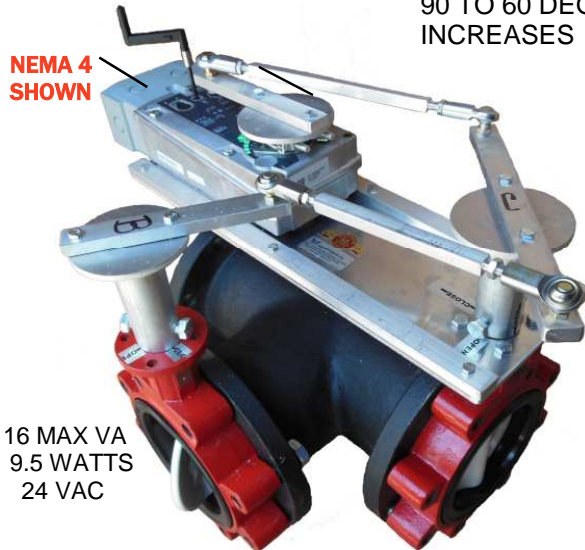
## **AUTOMATED BUTTERFLY VALVES WITH Schneider Electric SmartX ACTUATORS** SPRING RETURN VALVE ASSEMBLIES AVAILABLE 2" THROUGH 16"

MX4X-6343 & 6153 NON-SPRING RETURN ACTUATORS  
MX4X-7153, 7173, & 7303 SPRING RETURN ACTUATORS

OPTIONAL WEATHERPROOF  
ACTUATORS FOR OUTDOOR USE

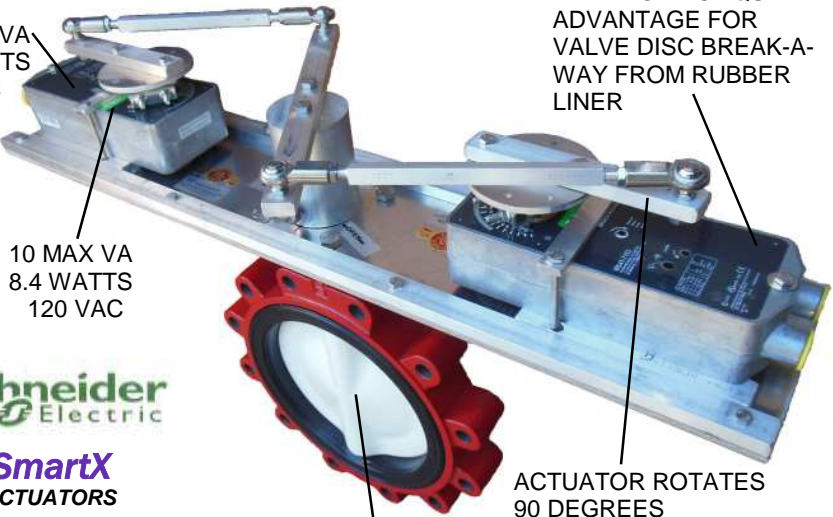
### **PRECISE CONTROL REQUIRES NUMEROUS MODULATING VALVE DISC REPOSITIONS —**

90 TO 60 DEGREE (1.5 TO 1 RATIO) VALVE TURN ASSEMBLY  
INCREASES VALVE DISC POSITIONS (RESOLUTION) BY 50%



3-WAY VALVE ARRANGEMENTS

9.7 MAX VA  
7.5 WATTS  
24 VAC



Schneider  
Electric  
**SmartX**  
ACTUATORS

ACTUATOR ROTATES  
90 DEGREES

VALVE DISC ROTATES 70 DEGREES

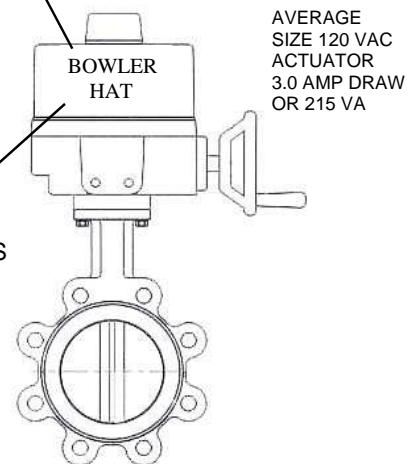
### ADVANTAGE OF SELECTING A VALVE ASSEMBLY WITH

#### Schneider Electric SmartX ACTUATORS

- A.) Valve Assembly at Low Cost
- B.) Superior Modulating Resolution for 0-10 VDC/4-20mA Control Signals
- C.) Minimal Replacement of Actuator During Warranty Period
- D.) 20 Year Life Expectancy
- E.) Optional NEMA 4 & NEMA 4 oil immersed **SmartX** Actuators for Washdown areas and Outdoor condensate prevention

BUTTERFLY VALVE ASSEMBLIES WITH 1/4 TURN BOWLER HAT TYPE ACTUATORS HAVE A LIMITED AMOUNT OF MODULATING VALVE DISC POSITIONS (RESOLUTION) RESULT-ING IN EXCESSIVE VALVE CYCLING, PREMATURE VALVE WEAROUT, AND BURN OUT

REQUIRES ELECTRIC ANTI CONDENSATE HEATER FOR OUTDOORS OR HIGH HUMIDITY



### DID YOU KNOW ?

**WESLEY VALVE CO.** IS THE ONLY SUPPLIER OF AUTOMATED BUTTERFLY VALVE ASSEMBLIES WITH **Schneider Electric** ACTUATORS LARGER THAN 5" (FIVE INCHES)

**90 DEG 1/4 TURN VALVE ASSEMBLIES WITH BOWLER HAT TYPE ACTUATORS ARE NOT RECOMMENDED WHERE TIGHT & STABLE FLOW CONTROL IS REQUIRED**



### WESLEY VALVE CO.

MFGRS OF AUTOMATED BUTTERFLY VALVES  
4938 S. Atlanta Rd., Ste. 100  
Atlanta, GA 30339  
PHN: (404) 351-8744 FAX: (404) 351-9340  
[www.wesleyvalve.com](http://www.wesleyvalve.com)

# USING LEVER ADVANTAGE TO INCREASE TORQUE AND IMPROVE CONTROL

## **DIRECT COUPLED ACTION AS DESIGNED**

SCHNEIDER ELECTRIC SERIES MX41-7303 SPRING  
RETURN ACTUATOR'S TORQUE RATING IS 266 IN. LB.

## **REMOTE ROTARY ACTION**

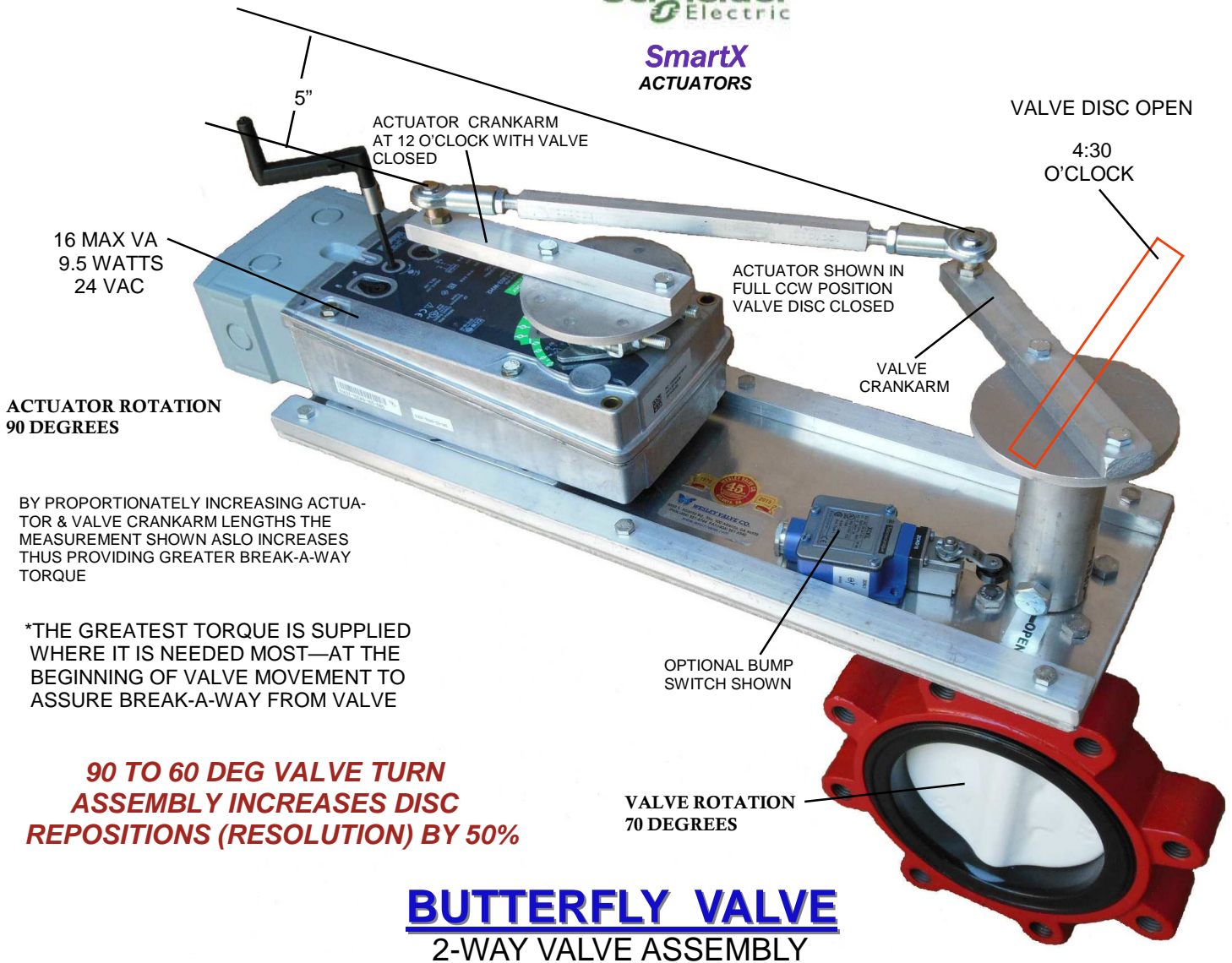
BREAK-A-WAY TORQUEING  
ADVANTAGE IS 5X OR  
1330 IN. LB.

## **VALVE MID POSITION TO OPEN**

VALVE DISC AT MID POSITION TO OPEN—TORQUEING  
ADVANTAGE DECREASES AT WORST TO (1.5 TO 1) 399 IN. LB.

Schneider  
Electric

SmartX  
ACTUATORS



16 MAX VA  
9.5 WATTS  
24 VAC

**ACTUATOR ROTATION  
90 DEGREES**

BY PROPORTIONATELY INCREASING ACTUA-  
TOR & VALVE CRANKARM LENGTHS THE  
MEASUREMENT SHOWN ASLO INCREASES  
THUS PROVIDING GREATER BREAK-A-WAY  
TORQUE

\*THE GREATEST TORQUE IS SUPPLIED  
WHERE IT IS NEEDED MOST—AT THE  
BEGINNING OF VALVE MOVEMENT TO  
ASSURE BREAK-A-WAY FROM VALVE

**90 TO 60 DEG VALVE TURN  
ASSEMBLY INCREASES DISC  
REPOSITIONS (RESOLUTION) BY 50%**

VALVE ROTATION  
70 DEGREES

**BUTTERFLY VALVE**  
2-WAY VALVE ASSEMBLY

**AUTOMATED BUTTERFLY VALVES WITH**

Schneider  
Electric

**SmartX ACTUATORS**

SPRING RETURN VALVE ASSEMBLIES AVAILABLE 2" THROUGH 16"



**WESLEY VALVE CO.**

MFGRS OF AUTOMATED BUTTERFLY VALVES  
4938 S. Atlanta Rd., Ste. 100  
Atlanta, GA 30339  
PHN: (404) 351-8744 FAX: (404) 351-9340  
[WWW.WESLEYVALVE.COM](http://WWW.WESLEYVALVE.COM)



# SPRING RETURN VALVE ASSEMBLIES

## 2 TO 16" AVAILABLE

### APPLICATIONS

- A. IDEALLY SUITED FOR CHILLER & COOLING TOWER ISOLATION
- B. COOLING TOWER MODULATING 3-WAY DIVERTING VALVE CONTROL

#### DIRECT COUPLED ACTION AS DESIGNED

SCHNEIDER ELECTRIC SERIES MX41-730X SPRING RETURN ACTUATOR'S TORQUE RATING IS 266 IN. LB. DUAL ACTUATOR TORQUE RATING IS 532 IN. LB.

#### REMOTE ROTARY ACTION

BREAK-A-WAY TORQUEING ADVANTAGE IS 5X OR 2660 IN. LB.

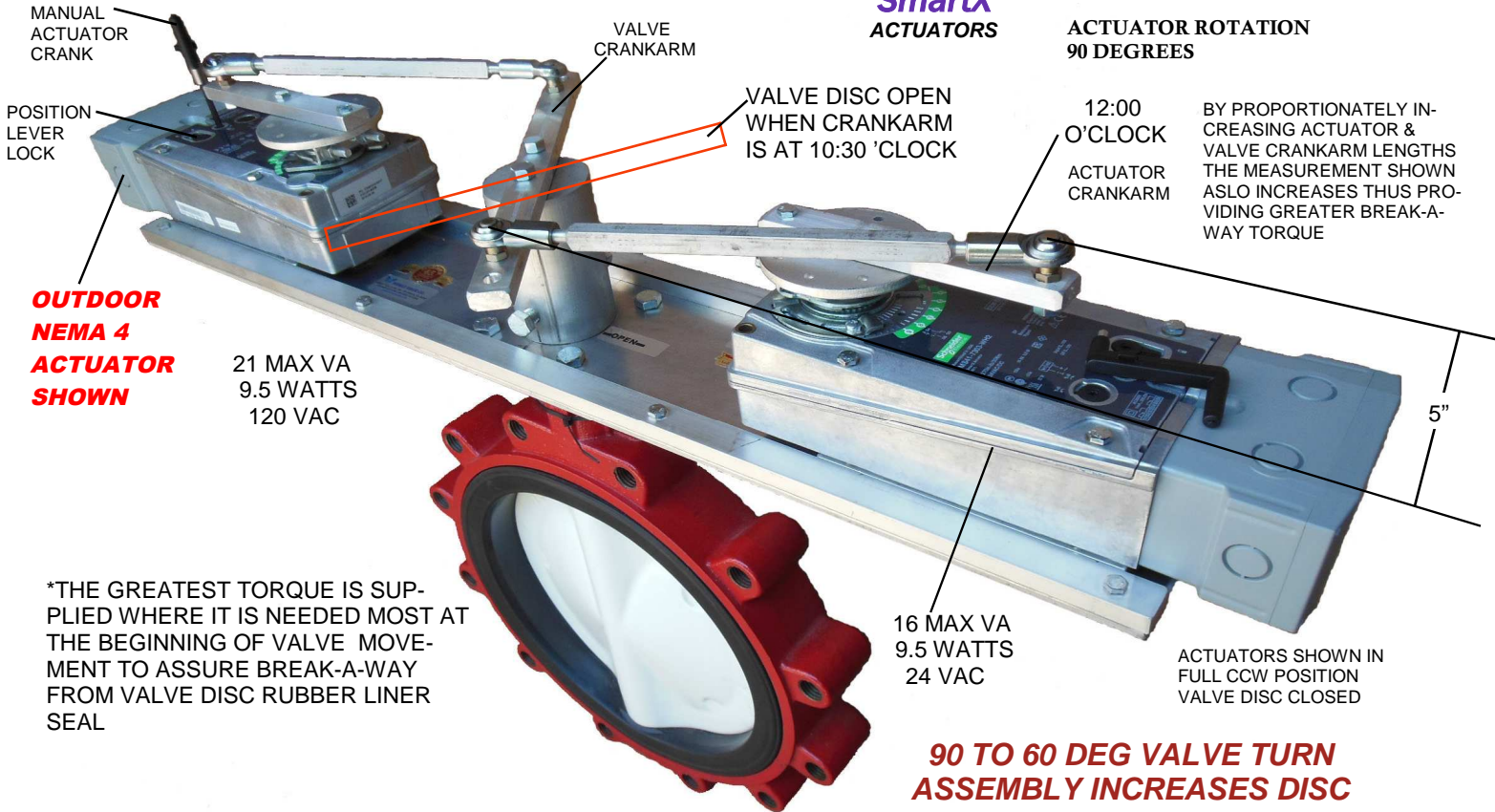
#### VALVE MID POSITION TO OPEN

VALVE DISC AT MID POSITION TO OPEN—TORQUEING ADVANTAGE DECREASES AT WORST TO (1.5 TO 1) 399 IN. LB. OR 798 IN. LB. FOR DUAL ACTUATORS



**SmartX**  
ACTUATORS

ACTUATOR ROTATION  
90 DEGREES



\*THE GREATEST TORQUE IS SUPPLIED WHERE IT IS NEEDED MOST AT THE BEGINNING OF VALVE MOVEMENT TO ASSURE BREAK-A-WAY FROM VALVE DISC RUBBER LINER SEAL

**90 TO 60 DEG VALVE TURN ASSEMBLY INCREASES DISC REPOSITIONS (RESOLUTION) BY 50%**

VALVE ROTATION  
70 DEGREES

## BUTTERFLY VALVE

### 2-WAY VALVE ASSEMBLY

**AUTOMATED BUTTERFLY VALVES WITH Schneider Electric SmartX ACTUATORS**  
**SPRING RETURN VALVE ASSEMBLIES AVAILABLE 2" THROUGH 16"**



MFGRS OF AUTOMATED BUTTERFLY VALVES  
4938 S. Atlanta Rd., Ste. 100  
Atlanta, GA 30339  
PHN: (404) 351-8744 FAX: (404) 351-9340  
[WWW.WESLEYVALVE.COM](http://WWW.WESLEYVALVE.COM)



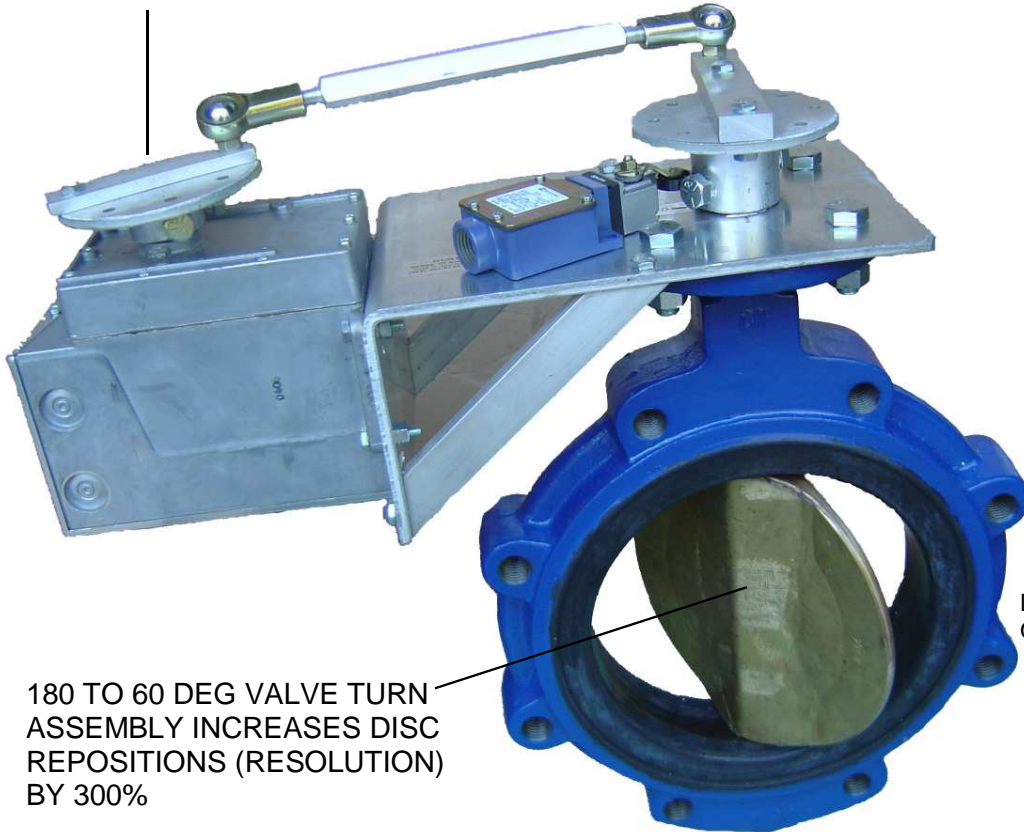
# ARE YOU IN CONTROL ???

**WHY COMPROMISE WHEN YOU CAN SUPPLY A SUPERIOR  
*HIGH RESOLUTION* VALVE ASSEMBLY AT NO EXTRA COST**



**TIGHT OR PRECISE CONTROL  
REQUIRES NUMEROUS  
MODULATING VALVE DISC  
REPOSITIONS (RESOLUTION)**

ACTUATOR HAS 4 TO 1  
LEVER OR TORQUING  
ADVANTAGE

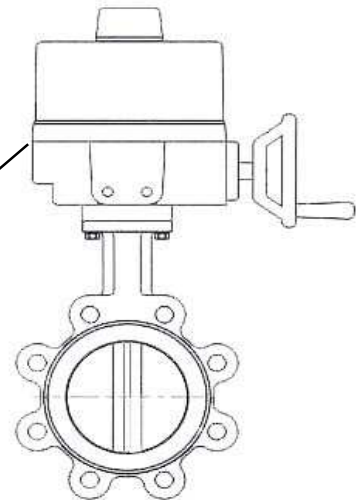


***Very High Resolution  
Linear  
Flow Butterfly Valve***

LIFE SPAN EXPECTENCY OF  
OVER 20 YEARS

180 TO 60 DEG VALVE TURN  
ASSEMBLY INCREASES DISC  
REPOSITIONS (RESOLUTION)  
BY 300%

BUTTERFLY VALVE ASSEMBLIES WITH 1/4 TURN  
ACTUATORS HAVE A LIMITED AMOUNT OF  
MODULATING VALVE DISC REPOSITIONS  
(RESOLUTION) RESULTING IN EXCESSIVE  
VALVE CYCLING, PREMATURE VALVE WEAR  
OUT, AND BURN OUT OF ACTUATOR



90 DEG 1/4 TURN VALVE ASSEMBLIES ARE NOT  
RECOMMENDED WHERE TIGHT & STABLE FLOW  
CONTROL IS REQUIRED



***WESLEY VALVE CO.***

MFGRS OF AUTOMATED BUTTERFLY VALVES  
4938 S. Atlanta Rd., Ste. 100  
Atlanta, GA 30339  
PHN: (404) 351-8744 FAX: (404) 351-9340  
[WWW.WESLEYVALVE.COM](http://WWW.WESLEYVALVE.COM)

12:00  
"A" O'CLOCK

ACTUATOR SHOWN IN  
FULL CCW POSITION  
VALVE DISC CLOSED

SCHNEIDER SERIES MP300 & MP400 ACTUATOR  
ROTATION TORQUE RATING IS 220 IN. LB.  
CONTINUOUS AND 440 IN. LB. NON CONTINUOUS

ACTUATOR  
ROTATION  
180 DEGREES

FLAT  
SPOT

WITH ACTUATOR IN FULL CCW  
POSITION THE ACTUATOR SHAFT  
(LOCATED BEHIND ADAPTER) IS  
AS SHOWN

ACTUATOR  
SHAFT

**POSITION "A"**  
BREAK-A-WAY TORQUEING  
ADVANTAGE QUADRUPLES  
TO 880 IN. LB. OR 1760 IN.  
LB. NON CONTINUOUS

180 DEG ACTUATOR TO 70 DEG VALVE  
ROTATION OR A 2.3 TO 1 RATIO MORE  
THAN DOUBLES THROTTLING DISC  
REPOSITIONS (RESOLUTIONS)  
160 TO 180 DEG ACTUATOR ROTATION  
HAS NO AFFECT ON VALVE ROTATION

1:30

"A"

**POSITION "B"**

VALVE DISC AT MID POSITION—TORQUEING  
ADVANTAGE DECREASES (2 TO 1) 440 IN. LB.  
OR 880 IN. LB. NON CONTINUOUS

"B"

3:00 O'CLOCK

**POSITION "C"**

VALVE DISC AT OPEN POSITION—TORQUEING  
ADVANTAGE DECREASES (2 TO 1) 440 IN. LB.  
OR 880 IN. LB. NON CONTINUOUS

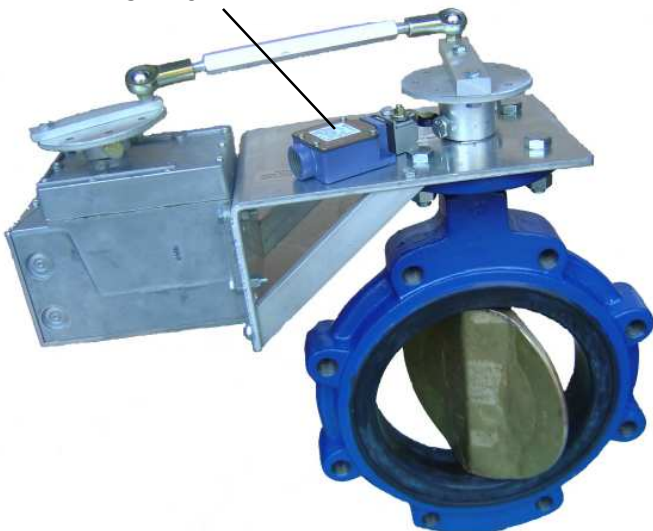
VALVE DISC OPEN

4:30  
O'CLOCK

\*THE GREATEST TORQUE IS SUPPLIED  
WHERE IT IS NEEDED MOST—AT THE  
BEGINNING OF VALVE MOVEMENT TO  
ASSURE BREAK-A-WAY FROM VALVE  
DISC RUBBER LINER SEAL

## BUTTERFLY VALVE 2-WAY VALVE ASSEMBLY

AUXILIARY BUMP  
SWITCH



PUBLISHED TORQUE RATING FOR SCHNEIDER ELECTRIC ACTUATORS  
IS VERY CONSRVATIVE—BASED ON CONTINUOUS OPERATION

STALL TORQUE IS DOUBLE THE PUBLISHED RATING AND MAY  
BE USED FOR NON CONTINUOUS DUTY

Schneider  
Electric

ACTUATORS



**WESLEY VALVE CO.**

MFGRS OF AUTOMATED BUTTERFLY VALVES

4938 S. Atlanta Rd., Ste. 100

Atlanta, GA 30339

PHN: (404) 351-8744 FAX: (404) 351-9340

[WWW.WESLEYVALVE.COM](http://WWW.WESLEYVALVE.COM)