



NOW AVAILABLE FOR SHIPMENT

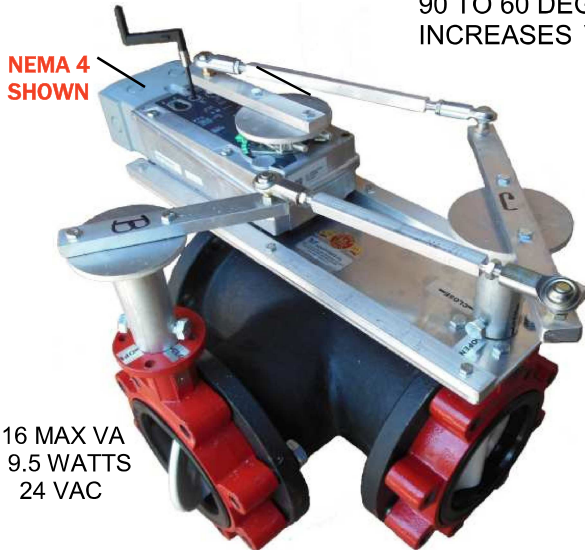
AUTOMATED BUTTERFLY VALVES WITH **SmartX ACTUATORS** SPRING RETURN VALVE ASSEMBLIES AVAILABLE 2" THROUGH 16"

MX4X-6343 & 6153 NON-SPRING RETURN ACTUATORS
MX4X-7153, 7173, & 7303 SPRING RETURN ACTUATORS

OPTIONAL WEATHERPROOF
ACTUATORS FOR OUTDOOR USE

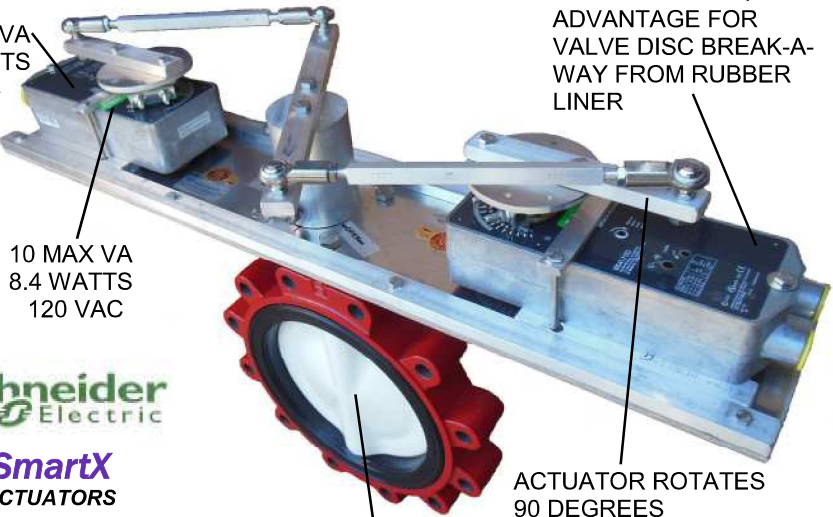
PRECISE CONTROL REQUIRES NUMEROUS MODULATING VALVE DISC REPOSITIONS —

90 TO 60 DEGREE (1.5 TO 1 RATIO) VALVE TURN ASSEMBLY
INCREASES VALVE DISC POSITIONS (RESOLUTION) BY 50%



3-WAY VALVE ARRANGEMENTS

9.7 MAX VA
7.5 WATTS
24 VAC




**SmartX
ACTUATORS**

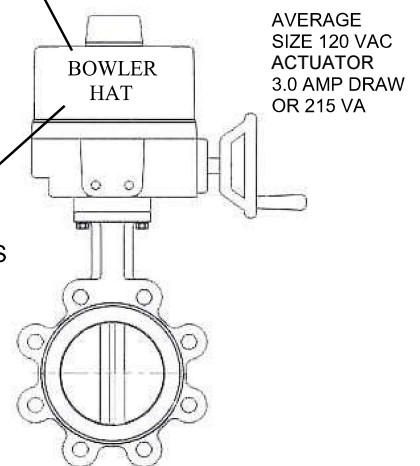
10 MAX VA
8.4 WATTS
120 VAC

ADVANTAGE OF SELECTING A VALVE ASSEMBLY WITH

SmartX ACTUATORS

- A.) Valve Assembly at Low Cost
- B.) Superior Modulating Resolution for 0-10 VDC/4-20mA Control Signals
- C.) Minimal Replacement of Actuator During Warranty Period
- D.) 20 Year Life Expectancy
- E.) Optional NEMA 4 & NEMA 4 oil immersed **SmartX** Actuators for Washdown areas and Outdoor condensate prevention

BUTTERFLY VALVE ASSEMBLIES WITH 1/4 TURN BOWLER HAT TYPE ACTUATORS HAVE A LIMITED AMOUNT OF MODULATING VALVE DISC POSITIONS (RESOLUTION) RESULT-ING IN EXCESSIVE VALVE CYCLING, PREMATURE VALVE WEAROUT, AND BURN OUT



REQUIRES ELECTRIC ANTI CONDENSATE HEATER FOR OUTDOORS OR HIGH HUMIDITY

DID YOU KNOW ?

WESLEY VALVE CO. IS THE ONLY SUPPLIER OF AUTOMATED BUTTERFLY VALVE ASSEMBLIES WITH **Schneider Electric** ACTUATORS LARGER THAN 5" (FIVE INCHES)

90 DEG 1/4 TURN VALVE ASSEMBLIES WITH BOWLER HAT TYPE ACTUATORS ARE NOT RECOMMENDED WHERE TIGHT & STABLE FLOW CONTROL IS REQUIRED



WESLEY VALVE CO.

MFGRS OF AUTOMATED BUTTERFLY VALVES
4938 S. Atlanta Rd., Ste. 100
Atlanta, GA 30339
PHN: (404) 351-8744 FAX: (404) 351-9340
www.wesleyvalve.com