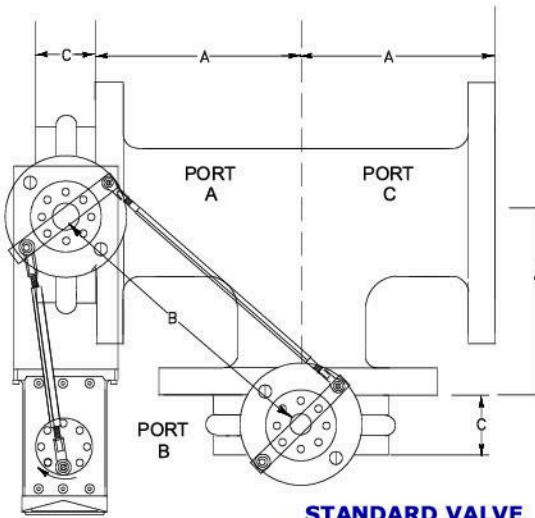




AUTOMATED BUTTERFLY VALVE ASSEMBLIES WITH Schneider Electric GEARTRAIN ACTUATORS

Ratings are Based on Bray S31-119 & Keystone AR2 Valve Bodies



GEARTRAIN ACTUATOR PART #	SIZE	A DIM.	B DIM.	C DIM.	Cv	Max. Close Rating	Bubble Leak Occur.
MP-381, MP-485	2	4.5	7 1/2	1 5/8	84	125	125#
MP-381, MP-485	2.5	5.0	8 1/4	1 3/4	163	125	125#
MP-381, MP-485	3	5.5	9 3/16	1 3/4	267	110	125#
MP-381, MP-485	4	6.5	10 3/4	2.0	496	110	50#
MP-381, MP-485	5	7.5	12 1/4	2 1/8	775	100	50#
MP-381, MP-485	6	8.0	13 15/16	2 1/8	1025	90	50#
MP-381, MP-485	8	9.0	14 7/8	2 1/2	1862	80	50#
MP-381, MP-485	10	11	17 3/4	2 1/2	2948	70	50#
MP-381, MP-485, MP-495	12	12	19 3/4	3.0	4393	70	50#
MP-495, MP-97xx	14	14	21 3/4	3.0	5939	60	50#
MP-97xx	16	15	24 3/4	4.0	7867	50	50#

STANDARD VALVE BODY FEATURES

System pressure is normally not a resistance factor For 3-way valve disc closure.

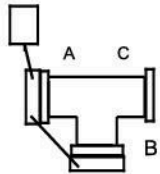
EPDM Rubber Liner

Stainless Steel or Nylon Coated Disc

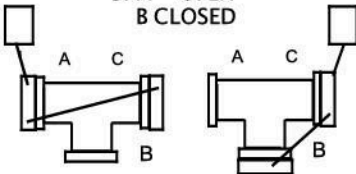
Stainless Steel Shaft

Full Threaded Lug

180 TO 60 DEG INCREASES VALVE TURN ASSEMBLY INCREASES DISC REPOSITIONS



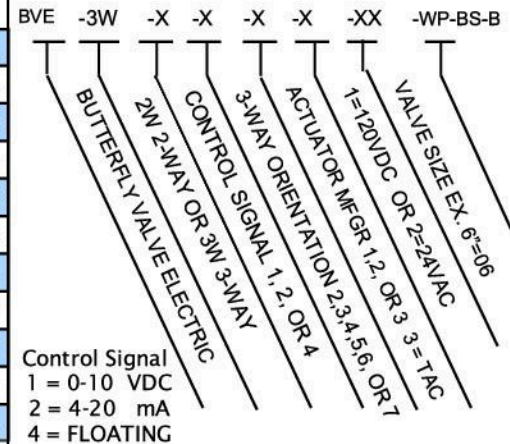
2: A CLOSED B OPEN
3: A OPEN B CLOSED



4: A CLOSED C OPEN
5: A OPEN C CLOSED
6: C CLOSED B OPEN
7: C OPEN B CLOSED

3-WAY VALVE ORIENTATIONS

SIZE	CV VALUES						
	2	2.5	3	4	5	6	7
2	144	84	61	43	27	16	7
2.5	282	163	107	67	43	24	11
3	461	267	154	96	61	35	15
4	841	496	274	171	109	62	27
5	1,376	775	428	268	170	98	43
6	1,850	1,025	567	354	225	129	56
8	3,316	1,862	1,081	680	421	241	102
10	5,430	2,948	1,710	1,076	667	382	162
12	8,077	4,393	2,563	1,594	1,005	555	235
14	10,538	5,939	3,384	2,149	1,320	756	299
16	13,966	7,867	4,483	2,847	1,749	1,001	397



Part Numbering System

WP = Weatherproof
BS = Valve Bump Switch
B = Bray, K = Keystone
RF = Retrofit

For Best Modulating Control Results Automated Butterfly Valves Are Adjusted For 70 Deg. Max. Opening



WESLEY VALVE CO.

MFGRS OF AUTOMATED BUTTERFLY VALVES
4938 S. Atlanta Rd., Ste. 100
Smyrna, GA 30080
PHN: (404) 351-8744
FAX: (404) 351-9340
www.wesleyvalve.com

DIMENSIONS

SIZE	A	B	D	E	F	G	H	J	K
2"	3.69	1.62	2.84	5.50	3.54	.55	.39	1.25	1.32
2.5"	4.19	1.75	3.34	6.00	3.54	.55	.39	1.25	1.91
3"	4.88	1.75	4.03	6.25	3.54	.55	.39	1.25	2.55
4"	6.06	2.00	5.16	7.00	3.54	.63	.43	1.25	3.57
5"	7.12	2.12	6.16	7.50	3.54	.75	.51	1.25	4.63
6"	8.12	2.12	7.02	8.00	3.54	.75	.51	1.25	5.45
8"	10.50	2.50	9.47	9.50	5.91	.87	.63	1.25	7.45
10"	12.75	2.50	11.47	10.75	5.91	1.18	.87	2.00	9.53
12"	14.88	3.00	9.47	9.50	5.91	1.18	.87	2.00	11.47
14"	17.05	3.00	15.28	13.62	5.91	1.38	N/A	2.00	13.04
16"	19.21	4.00	17.41	14.75	5.91	1.38	N/A	2.00	14.85

