



NOW AVAILABLE FOR SHIPMENT-

AUTOMATED BUTTERFLY VALVES WITH *HONEYWELL* ACTUATORS

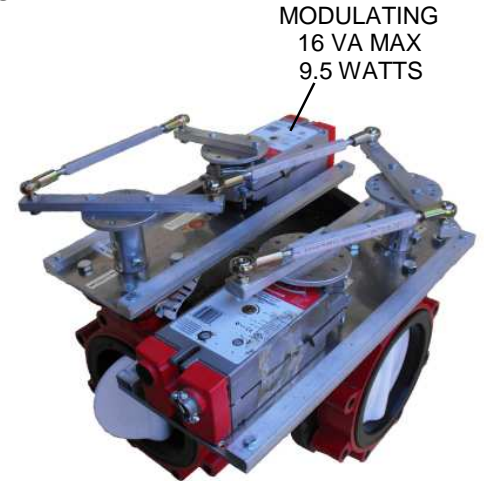
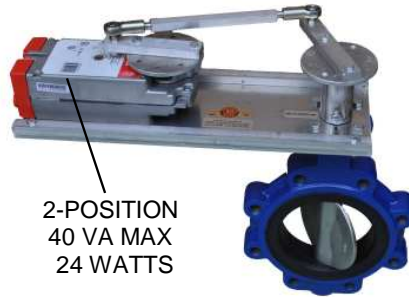
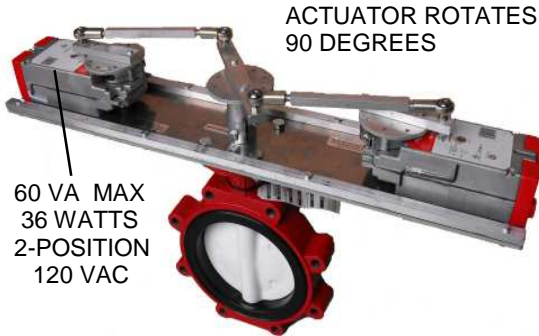
SPRING RETURN VALVE ASSEMBLIES AVAILABLE 2" THROUGH 12"

MN6120A, 7220A, 6134A, & 7234A NON-SPRING RETURN ACTUATORS
MS8120A & 7520A SPRING RETURN ACTUATORS

PRECISE CONTROL REQUIRES NUMEROUS MODULATING VALVE DISC REPOSITIONS —

ACTUATOR HAS 4 TO 1
LEVER OR TORQUE
ADVANTAGE FOR
VALVE DISC BREAK-A-
WAY FROM RUBBER
LINER

90 TO 60 DEGREE (1.5 TO 1 RATIO) VALVE TURN ASSEMBLY
INCREASES VALVE DISC POSTIONS



VALVE DISC ROTATES 70 DEGREES

NEMA 2 RATED ACTUATOR HOUSING

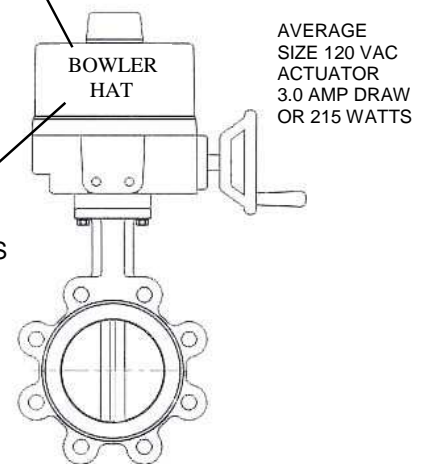
ADVANTAGE OF SELECTING A VALVE ASSEMBLY WITH

Honeywell MN & MS ACTUATORS

- A. Valve Assembly at Low Cost
- B.) Superior Modulating Resolution for 0-10 VDC/4-20mA Control Signals
- C.) Minimal Replacement of Actuator During Warranty Period
- D.) 20 Year Life Expectancy

BUTTERFLY VALVE ASSEMBLIES WITH 1/4 TURN BOWLER HAT TYPE ACTUATORS HAVE A LIMITED AMOUNT OF MODULATING VALVE DISC REPOSITIONS (RESOLUTION) RESULT-ING IN EXCESSIVE VALVE CYCLING, PREMATURE VALVE WEAROUT, AND BURN OUT

REQUIRES ELECTRIC ANTI CONDENSATE HEATER FOR OUTDOORS OR HIGH HUMIDITY



DID YOU KNOW ?

WESLEY VALVE CO. IS THE ONLY SUPPLIER OF AUTOMATED BUTTERFLY VALVE ASSEMBLIES WITH **HONEYWELL** ACTUATORS LARGER THAN 6" (SIX INCHES)

90 DEG 1/4 TURN VALVE ASSEMBLIES WITH BOWLER HAT TYPE ACTUATORS ARE NOT RECOMMENDED WHERE TIGHT & STABLE FLOW CONTROL IS REQUIRED



WESLEY VALVE CO.

MFGRS OF AUTOMATED BUTTERFLY VALVES
4938 S. Atlanta Rd., Ste. 100
Atlanta, GA 30339
PHN: (404) 351-8744 FAX: (404) 351-9340
www.wesleyvalve.com

SPRING RETURN VALVE ASSEMBLIES

2 TO 12" AVAILABLE

APPLICATIONS

- A. IDEALLY SUITED FOR CHILLER & COOLING TOWER ISOLATION
- B. COOLING TOWER MODULATING 3-WAY DIVERTING VALVE CONTROL

DIRECT COUPLED ACTION AS DESIGNED

HONEYWELL MS SERIES SPRING RETURN ACTUATOR
 TORQUE RATING IS 175 IN. LB.
 DUAL ACTUATOR TORQUE RATING IS 350 IN. LB.

REMOTE ROTARY ACTION

BREAK-A-WAY TORQUEING
 ADVANTAGE QUADRUPLES TO
 1400 IN. LB.

VALVE MID POSITION TO OPEN

VALVE DISC AT MID POSITION TO OPEN—TORQUEING
 ADVANTAGE DECREASES AT WORST TO (1.5 TO 1) 262 IN. LB.
 OR 525 IN. LB. FOR DUAL ACTUATORS

Honeywell

ACTUATORS

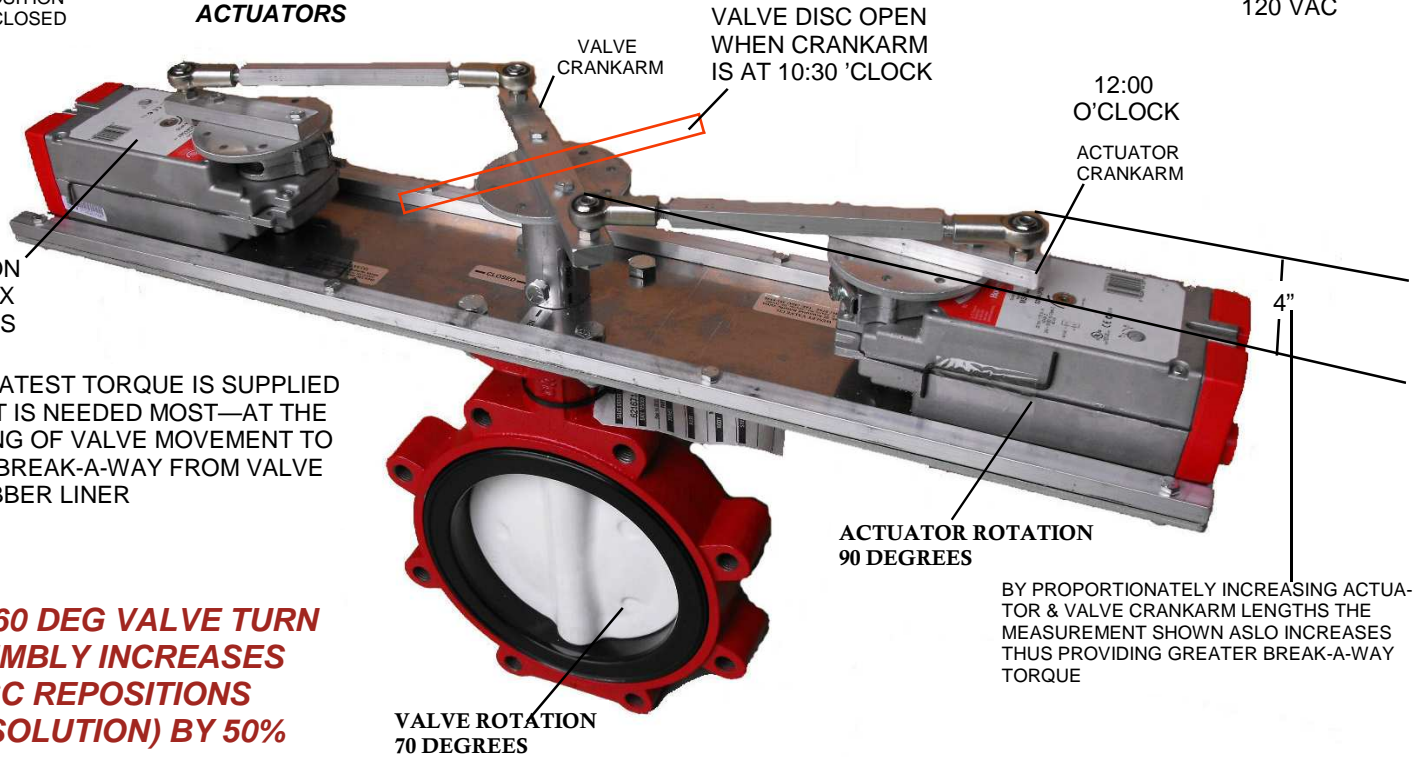
ACTUATORS SHOWN IN
 FULL CCW POSITION
 VALVE DISC CLOSED

MODULATING 60 VA MAX
 16 VA MAX 36 WATTS
 9.5 WATTS 2-POSITION
 120 VAC

2-POSITION
 40 VA MAX
 24 WATTS

*THE GREATEST TORQUE IS SUPPLIED
 WHERE IT IS NEEDED MOST—AT THE
 BEGINNING OF VALVE MOVEMENT TO
 ASSURE BREAK-A-WAY FROM VALVE
 DISC RUBBER LINER

**90 TO 60 DEG VALVE TURN
 ASSEMBLY INCREASES
 DISC REPOSITIONS
 (RESOLUTION) BY 50%**



VALVE DISC OPEN
 WHEN CRANKARM
 IS AT 10:30 'CLOCK

12:00
 O'CLOCK

ACTUATOR
 CRANKARM

ACTUATOR ROTATION
 90 DEGREES

BY PROPORTIONATELY INCREASING ACTUA-
 TOR & VALVE CRANKARM LENGTHS THE
 MEASUREMENT SHOWN ASLO INCREASES
 THUS PROVIDING GREATER BREAK-A-WAY
 TORQUE

VALVE ROTATION
 70 DEGREES

BUTTERFLY VALVE

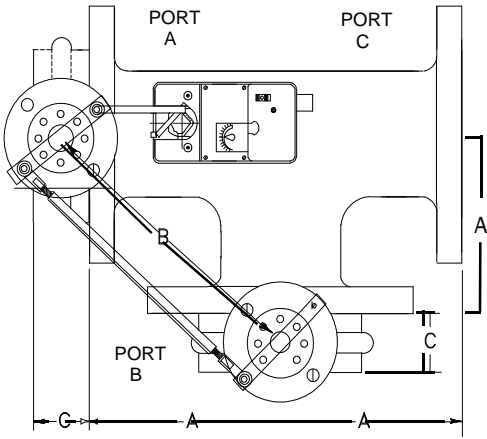
2-WAY VALVE ASSEMBLY

AUTOMATED BUTTERFLY VALVES WITH Honeywell MN & MS ACTUATORS
SPRING RETURN VALVE ASSEMBLIES AVAILABLE 2" THROUGH 12"



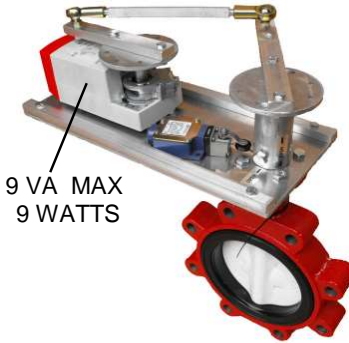
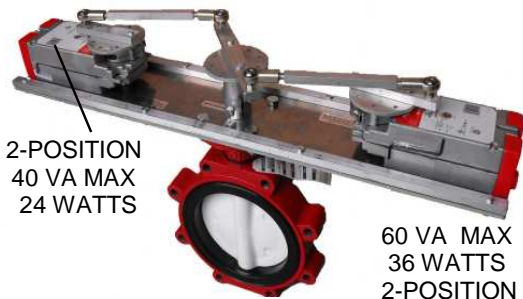
MFGRS OF AUTOMATED BUTTERFLY VALVES
 4938 S. Atlanta Rd., Ste. 100
 Atlanta, GA 30339
 PHN: (404) 351-8744 FAX: (404) 351-9340
WWW.WESLEYVALVE.COM

AUTOMATED BUTTERFLY VALVES WITH **HONEYWELL** ACTUATORS



System pressure is normally not a resistance factor For 3-way valve disc closure.

ACTUATOR PART # * = DUAL ACTUATORS	SIZE	A DIM.	B DIM.	C DIM.	Cv	Max. Close Rating	Bubble Leak Occur.
MN7220A, MN6120A, MS Series	2	4.5	7 1/2	1 5/8	84	125	125#
MN7220A, MN6120A, MS Series	2.5	5.0	8 1/4	1 3/4	163	125	125#
MN7220A, MN6120A, MS Series	3	5.5	9 3/16	1 3/4	267	110	125#
MN7220A, MN6120A, MS Series	4	6.5	10 3/4	2.0	496	110	50#
MN7220A, MN6120A, MS Series	5	7.5	12 1/4	2 1/8	775	95	50#
MN7220A, MN6120A, MS Series	6	8.0	13 15/16	2 1/8	1025	85	50#
MN7234A, MN6134A, *MS Series	8	9.0	14 7/8	2 1/2	1862	85	50#
MN7234A, MN6134A, *MS Series	10	11	17 3/4	2 1/2	2948	75	50#
MN7234A, MN6134A, *MS Series	12	12	19 3/4	3.0	4393	60	50#
*MN7234A, *MN6134A	14	14	21 3/4	3.0	5939	70	50#
*MN7234A, *MN6134A	16	15	24 3/4	4.0	7867	60	50#



MODULATING
16 VA MAX
9.5 WATTS

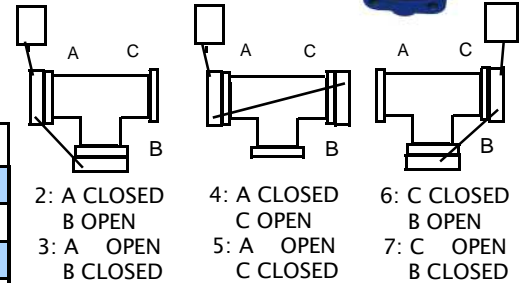
For Best Modulating Control Results Valves Are Adjusted For 70 Deg Max Opening



Dual Spring Return Actuators For 8", 10", & 12" Valves

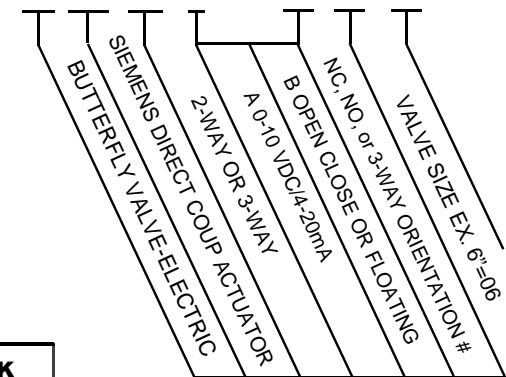
60 VA MAX
36 WATTS
2-POSITION
120 VAC

Ratings are Based on Bray S31-119 & Keystone AR2 Valve Bodies



3-WAY VALVE ORIENTATIONS

BVE -HON -2W -Y -ZZ -06 -BS-B



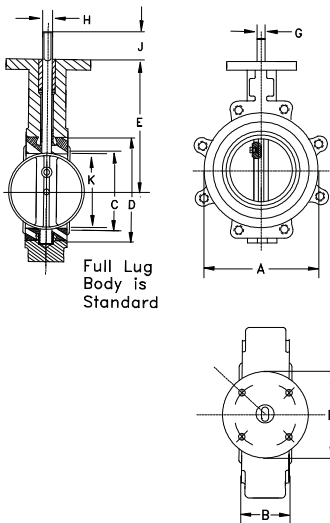
STANDARD VALVE BODY FEATURES

- EPDM Rubber liner
- Stainless Steel or Nylon Coated Disc
- Stainless Steel Shaft
- Full Threaded Lug

SIZE	CV VALUES							
2	144	84	61	43	27	16	7	1
2.5	282	163	107	67	43	24	11	1.5
3	461	267	154	96	61	35	15	2
4	841	496	274	171	109	62	27	3
5	1,376	775	428	268	170	98	43	5
6	1,850	1,025	567	354	225	129	56	6
8	3,316	1,862	1,081	680	421	241	102	12
10	5,430	2,948	1,710	1,076	667	382	162	19
12	8,077	4,393	2,563	1,594	1,005	555	235	27
14	10,538	5,939	3,384	2,149	1,320	756	299	34
16	13,966	7,867	4,483	2,847	1,749	1,001	397	45

DIMENSIONS

SIZE	A	B	D	E	F	G	H	J	K
2"	3.69	1.62	2.84	5.50	3.54	.55	.39	1.25	1.32
2.5"	4.19	1.75	3.34	6.00	3.54	.55	.39	1.25	1.91
3"	4.88	1.75	4.03	6.25	3.54	.55	.39	1.25	2.55
4"	6.06	2.00	5.16	7.00	3.54	.63	.43	1.25	3.57
5"	7.12	2.12	6.16	7.50	3.54	.75	.51	1.25	4.63
6"	8.12	2.12	7.02	8.00	3.54	.75	.51	1.25	5.45
8"	10.50	2.50	9.47	9.50	5.91	.87	.63	1.25	7.45
10"	12.75	2.50	11.47	10.75	5.91	1.18	.87	2.00	9.53
12"	14.88	3.00	9.47	9.50	5.91	1.18	.87	2.00	11.47
14"	17.05	3.00	15.28	13.62	5.91	1.38	N/A	2.00	13.04
16"	19.21	4.00	17.41	14.75	5.91	1.38	N/A	2.00	14.85



Part Numbering System

BS = Valve Bump Switch
RF = Retrofit Kit
B = Bray, K = Keystone



WESLEY VALVE CO.

MFGRS OF AUTOMATED BUTTERFLY VALVES
4938 S. Atlanta Rd., Ste. 100
Atlanta, GA 30339
PHN: (404) 351-8744
FAX: (404) 351-9340
www.wesleyvalve.com