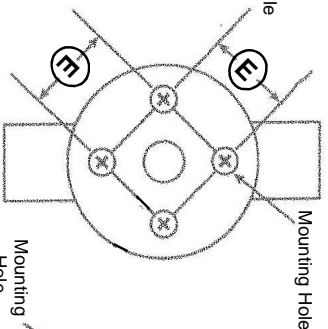
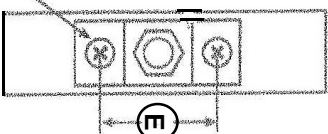


Style "1"



Style "2"



Style "3"

Existing Butterfly Valve Retrofit Worksheet

For Pneumatic or Electric Actuation

See a price or data sheet for selecting a part number

Valve Body Manufacturer _____

List Co. Name if Possible _____

19 WATTS
0.24 AMPS
120VAC

**Please Supply Dimensional Data
Listed and Return to Us**

Style E F G H S

Note: "H" Dimension is for Valve Stems that are
Flatted on each side (Double D)

Existing Butterfly Valve Yoke Mounting Hole Styles

**If Stem is Round then just provide
Dimension G (H is not Necessary)**

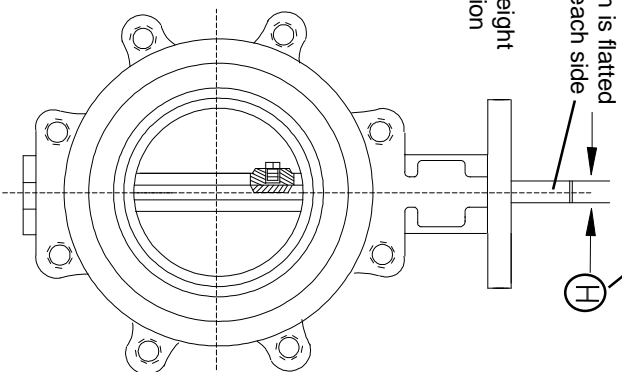
Flat to Flat Side
Dimension

Stem is flatted
on each side

Stem Height
Dimension

Full Stem
Diameter
Dimension

Valve Size
Or Diameter



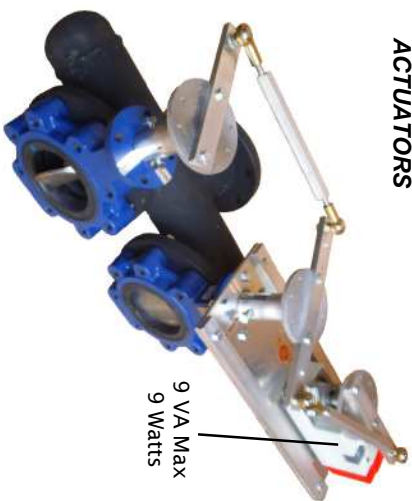
TEST EXISTING VALVE
Manually Open & Close Valve with a Short
Wrench (8" Maximum Handle length)
If Valve is Physically Difficult to Open & Close,
Install Valve Assembly with New Valve Body



CHILLER HEAD PRESS
CONTROL VALVE



Honeywell
ACTUATORS



9 VA Max
9 Watts

Replace Johnson Controls V5650,
V-210 & V5820 Stovepipe Valves
With the Assembly Shown



WESLEY VALVE CO.

MFGRS OF AUTOMATED BUTTERFLY VALVES

4938 S. Atlanta Rd., Ste. 100

Atlanta, GA 30339

PHN: (404) 351-8744 FAX: (404) 351-9340

WWW.WESLEYVALVE.COM

*See our Valve Price Sheet or Data
Sheet for Part Number Selection



NOW AVAILABLE FOR SHIPMENT-

AUTOMATED BUTTERFLY VALVES WITH *HONEYWELL* ACTUATORS

SPRING RETURN VALVE ASSEMBLIES AVAILABLE 2" THROUGH 12"

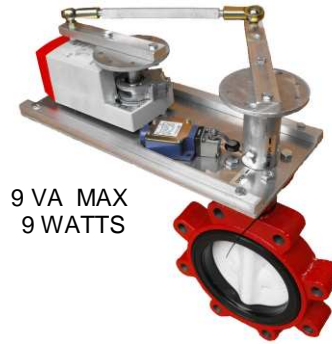
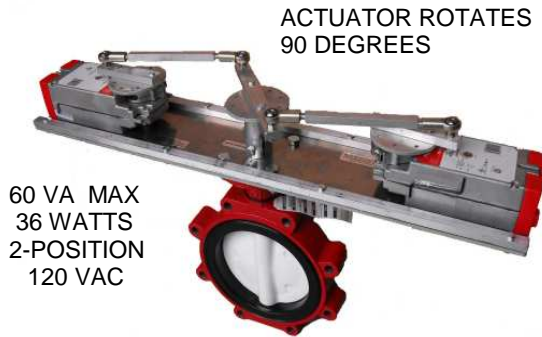
MN6120A, 7220A, 6134A, & 7234A NON-SPRING RETURN ACTUATORS
MS8120A & 7520A SPRING RETURN ACTUATORS

PRECISE CONTROL REQUIRES NUMEROUS MODULATING VALVE DISC REPOSITIONS —

ACTUATOR HAS 4 TO 1
LEVER OR TORQUE
ADVANTAGE FOR
VALVE DISC BREAK-A-
WAY FROM RUBBER
LINER

90 TO 60 DEGREE (1.5 TO 1 RATIO) VALVE TURN ASSEMBLY
INCREASES VALVE DISC POSITIONS (RESOLUTION) BY 50%

2-POSITION
40 VA MAX
24 WATTS



VALVE DISC ROTATES 70 DEGREES

NEMA 2 RATED ACTUATOR HOUSING

MODULATING
16 VA MAX
9.5 WATTS

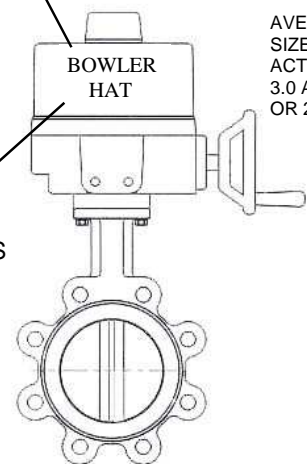
ADVANTAGE OF SELECTING A VALVE ASSEMBLY WITH

Honeywell MN & MS ACTUATORS

- A. Valve Assembly at Low Cost
- B.) Superior Modulating Resolution for 0-10 VDC/4-20mA Control Signals
- C.) Minimal Replacement of Actuator During Warranty Period
- D.) 20 Year Life Expectancy

BUTTERFLY VALVE ASSEMBLIES WITH 1/4 TURN BOWLER HAT TYPE ACTUATORS HAVE A LIMITED AMOUNT OF MODULATING VALVE DISC REPOSITIONS (RESOLUTION) RESULT-ING IN EXCESSIVE VALVE CYCLING, PREMATURE VALVE WEAROUT, AND BURN OUT

REQUIRES ELECTRIC ANTI CONDENSATE HEATER FOR OUTDOORS OR HIGH HUMIDITY



DID YOU KNOW ?

WESLEY VALVE CO. IS THE ONLY SUPPLIER OF AUTOMATED BUTTERFLY VALVE ASSEMBLIES WITH **HONEYWELL** ACTUATORS LARGER THAN 6" (SIX INCHES)



WESLEY VALVE CO.

MFGRS OF AUTOMATED BUTTERFLY VALVES
4938 S. Atlanta Rd., Ste. 100
Atlanta, GA 30339
PHN: (404) 351-8744 FAX: (404) 351-9340
www.wesleyvalve.com

REPLACING A FAILED BOWLER HAT ACTUATOR ?

**CONSIDER RETROFITTING IT WITH THE MORE
RELIABLE *Honeywell Red Cap*
ACTUATOR ASSEMBLY AS SHOWN AT THE TOP**