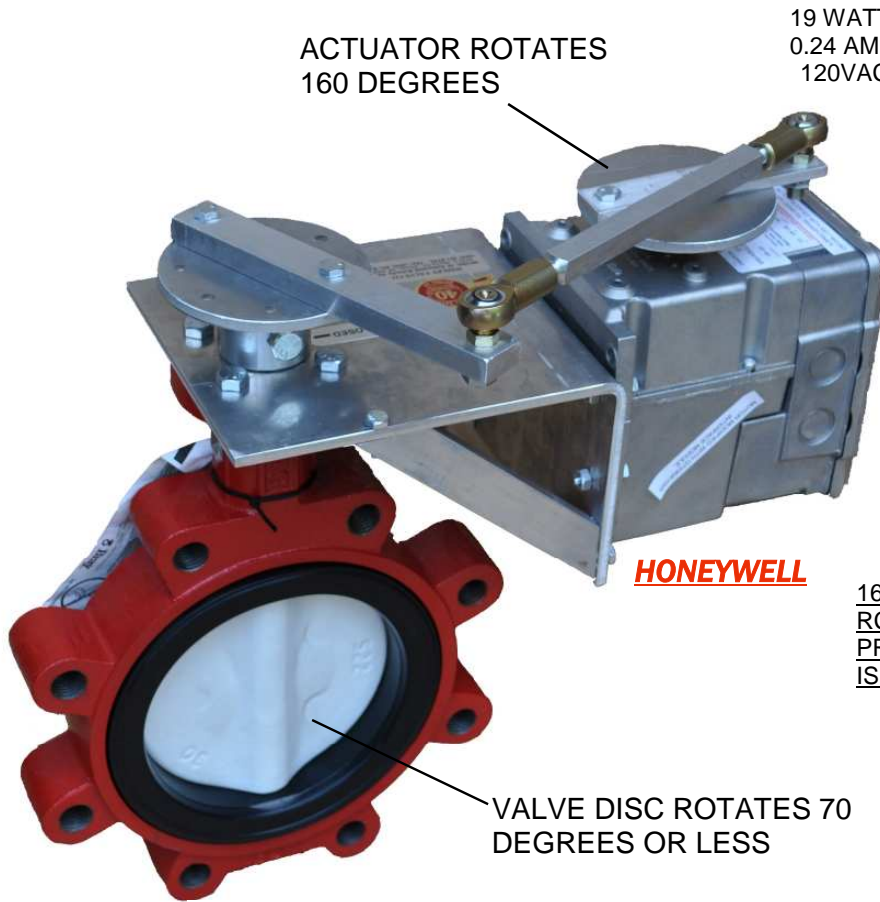




# CHILLER HEAD PRESSURE CONTROL

## AUTOMATED BUTTERFLY VALVES WITH **HONEYWELL** ACTUATORS

**NOW AVAILABLE FOR SHIPMENT-**



ACTUATOR ROTATES  
160 DEGREES

19 WATTS  
0.24 AMPS  
120VAC

ACTUATOR HAS 4 TO 1  
LEVER OR TORQUING  
ADVANTAGE

OVER 2.3 TO 1(160:70) TURN-  
DOWN RATIO DOUBLES  
THROTTLING DISC REPOSITION

GEAR TRAIN ACTUATOR  
DOES NOT REQUIRE A HEATER TO  
PREVENT CONDENSATE BUILD UP

**HONEYWELL**

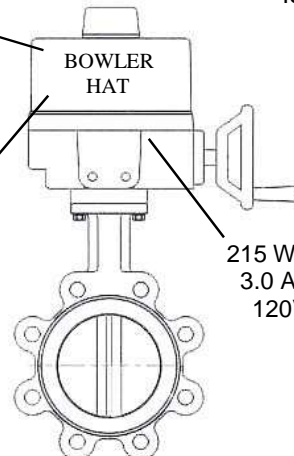
160 DEG. ACTUATOR ROTATION IS  
RCOMMENDED WHERE A TIGHT  
PRECISE CONTROL APPLICATION  
IS REQUIRED (RESOLUTION)

VALVE DISC ROTATES 70  
DEGREES OR LESS

### **TIGHT OR PRECISE CONTROL REQUIRES NUMEROUS MODULATING VALVE DISC REPOSITIONS —**

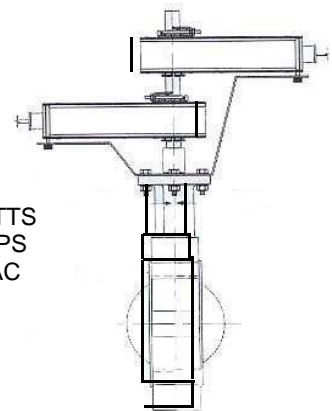
BUTTERFLY VALVE ASSEMBLIES WITH 1/4  
TURN BOWLER HAT TYPE ACTUATORS  
HAVE A LIMITED AMOUNT OF MODULATING  
VALVE DISC REPOSITIONS (RESOLUTION)  
RESULT-ING IN EXCESSIVE VALVE CYCLING,  
PREMATURE VALVE WEAROUT, AND BURN  
OUT

DIRECT VALVE SHAFT COUPLED ACTUATORS  
FOR CHILLED WATER AND OUTDOOR  
APPLICATIONS REQUIRE THERMOSTATIC  
HEATER TO BE INSTALLED TO PREVENT  
CONDENSATE COLLECTION INSIDE  
HOUSING OF ELECTRIC ACTUATOR



215 WATTS  
3.0 AMPS  
120VAC

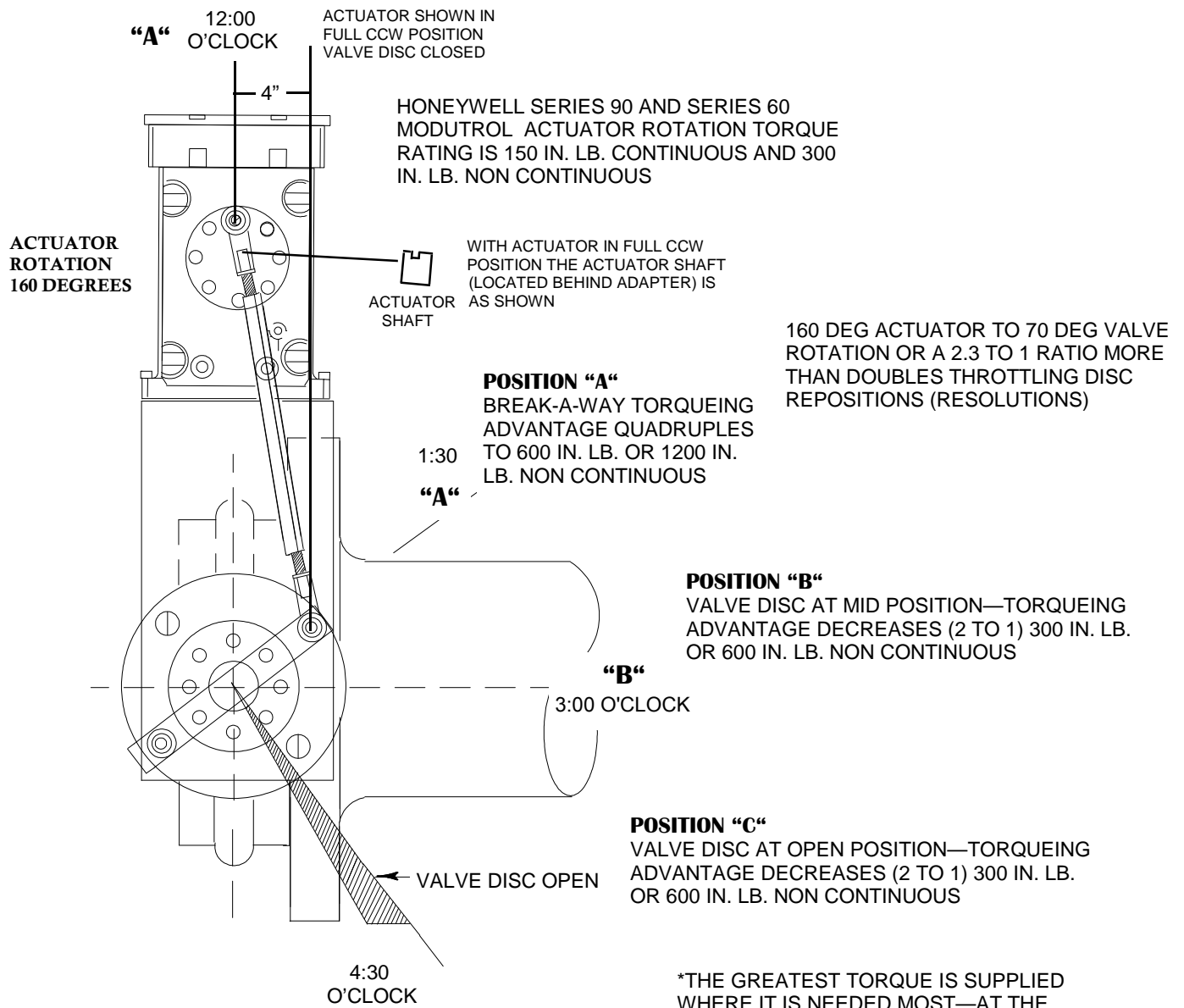
TANDEM STACKING ACTUATORS  
IS NOT NECESSARY OR RECOMMENDED



90 DEG 1/4 TURN VALVE ASSEMBLIES ARE NOT  
RECOMMENDED WHERE TIGHT & STABLE FLOW  
CONTROL IS REQUIRED

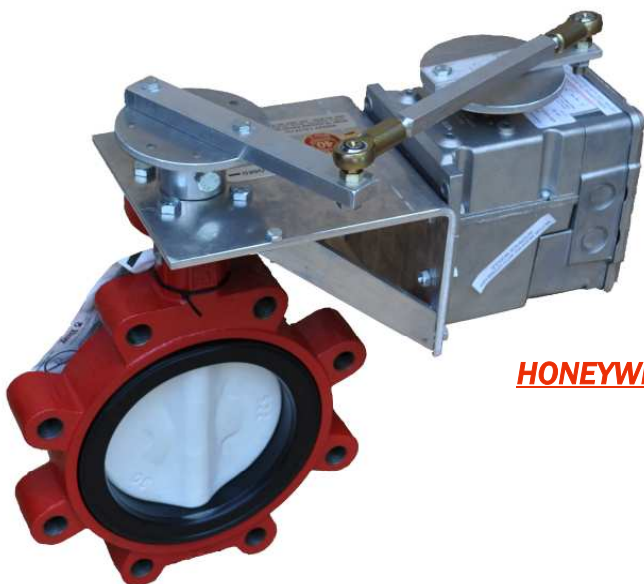
 **WESLEY VALVE CO.**

MFGRS OF AUTOMATED BUTTERFLY VALVES  
4938 S. Atlanta Rd., Ste. 100  
Atlanta, GA 30339  
PHN: (404) 351-8744 FAX: (404) 351-9340  
[WWW.WESLEYVALVE.COM](http://WWW.WESLEYVALVE.COM)



## BUTTERFLY VALVE 2-WAY VALVE ASSEMBLY

\*THE GREATEST TORQUE IS SUPPLIED  
WHERE IT IS NEEDED MOST—AT THE  
BEGINNING OF VALVE MOVEMENT TO  
ASSURE BREAK-A-WAY FROM VALVE  
DISC RUBBER LINER SEAL



**HONEYWELL**

PUBLISHED TORQUE RATING FOR HONEYWELL ELECTRIC ACTUATORS IS  
VERY CONSRVATIVE—BASED ON CONTINUOUS OPERATION

STALL TORQUE IS DOUBLE THE PUBLISHED RATING AND MAY  
BE USED FOR NON CONTINUOUS DUTY

 **WESLEY VALVE CO.**

MFGRS OF AUTOMATED BUTTERFLY VALVES  
4938 S. Atlanta Rd., Ste. 100  
Atlanta, GA 30339  
PHN: (404) 351-8744 FAX: (404) 351-9340  
[WWW.WESLEYVALVE.COM](http://WWW.WESLEYVALVE.COM)