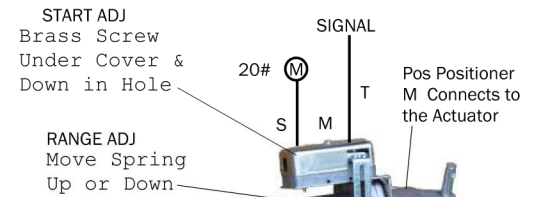
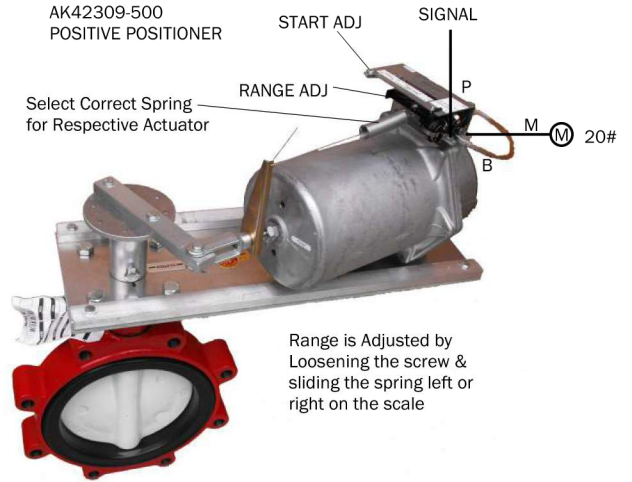
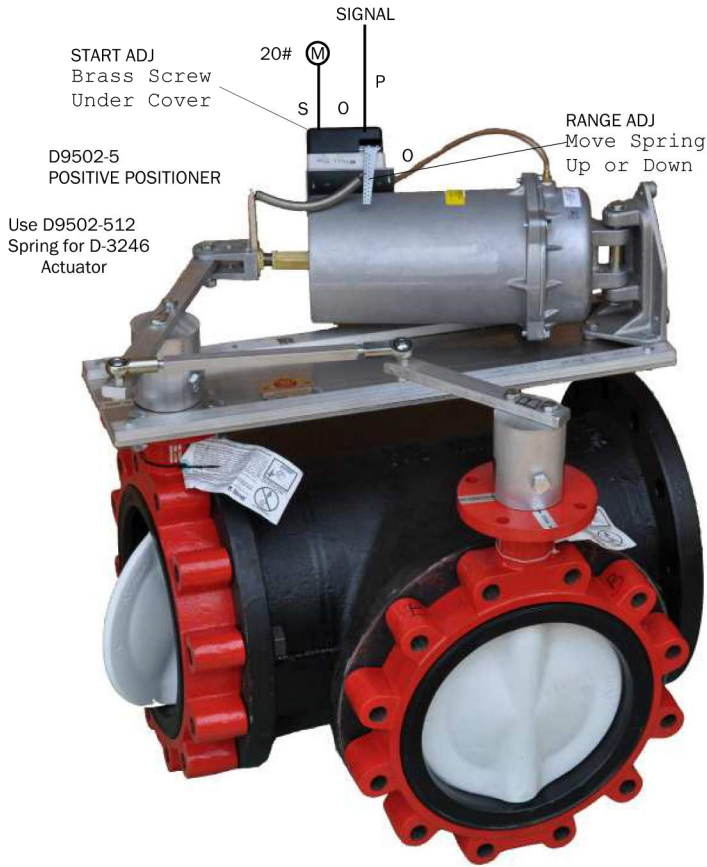
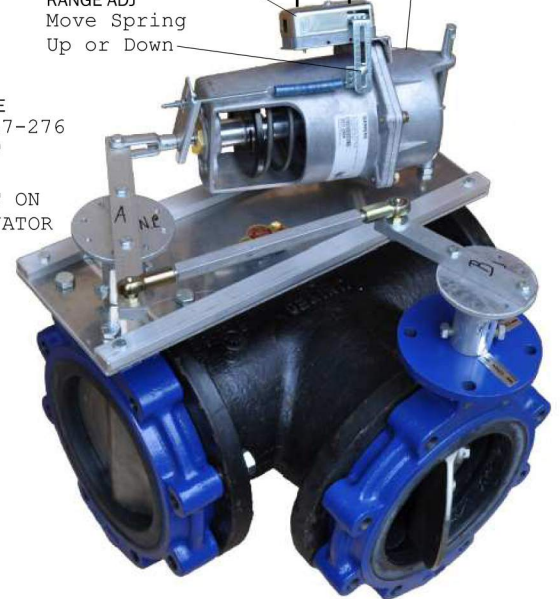


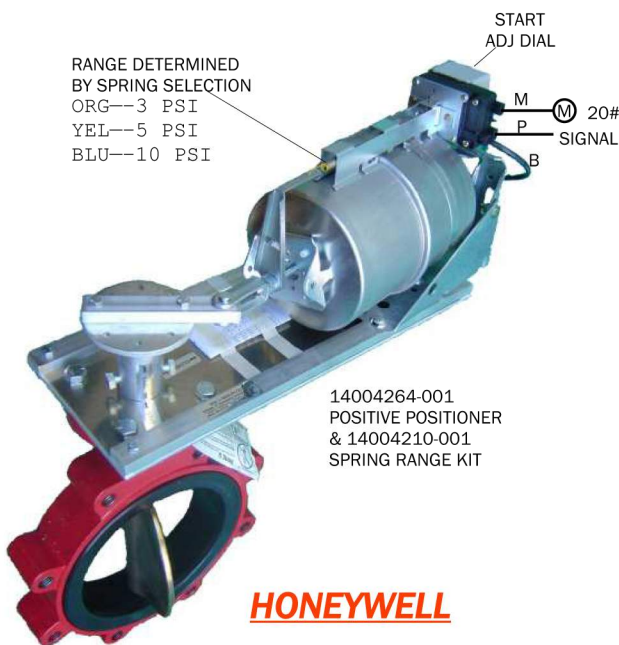
PNEUMATIC POSITIVE POSITIONER CONNECTION AND ADJUSTMENT INSTRUCTIONS



147-2000 POSITIVE POSITIONER & 147-276 MOUNTING KIT
USE 147-314 MOUNTING KIT ON SMALLER ACTUATOR



14004264-001 POSITIVE POSITIONER & 14004210-001 SPRING RANGE KIT



WESLEY VALVE CO.

MFGRS OF AUTOMATED BUTTERFLY VALVES
4938 S. Atlanta Rd., Ste. 100
Smyrna, GA 30080

PHN: (404) 351-8744 FAX: (404) 351-9340

www.Wesleyvalve.com