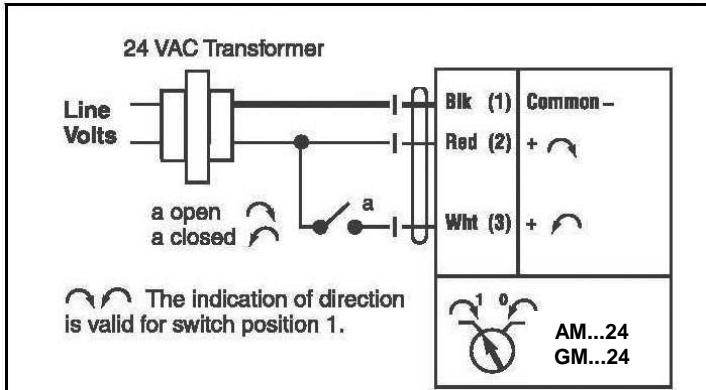
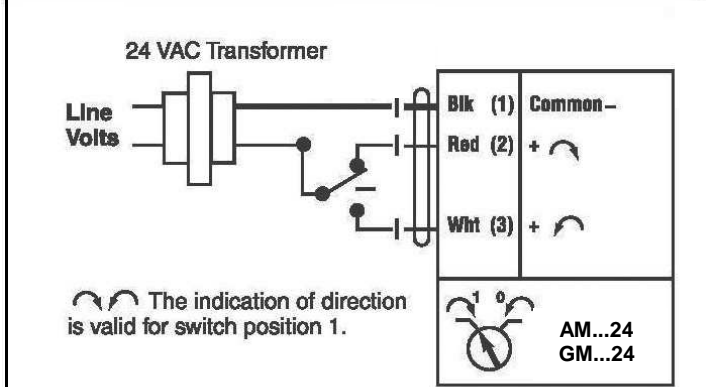


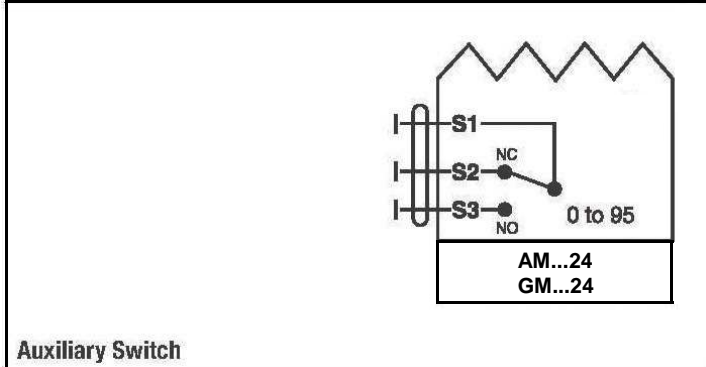
# WIRING FOR VALVE ASSEMBLIES WITH BELIMO DIRECT COUPLED NON SPRING RETURN ACTUATORS



On/Off control

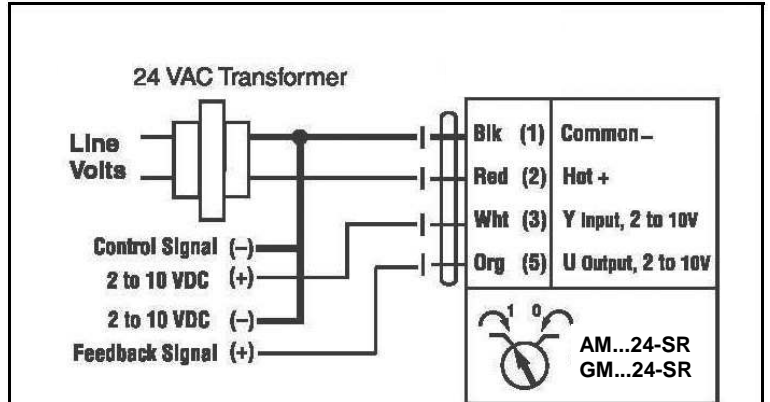
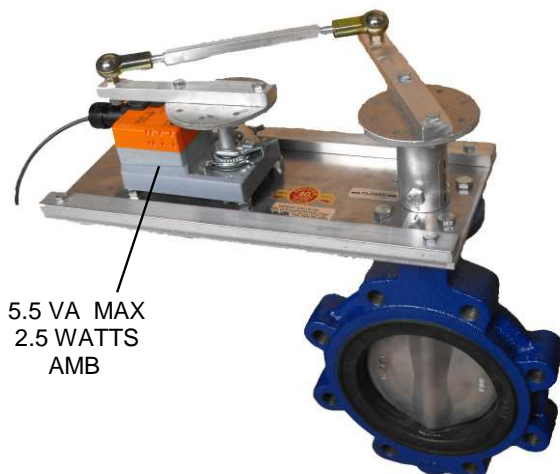


Floating Point or On/Off control

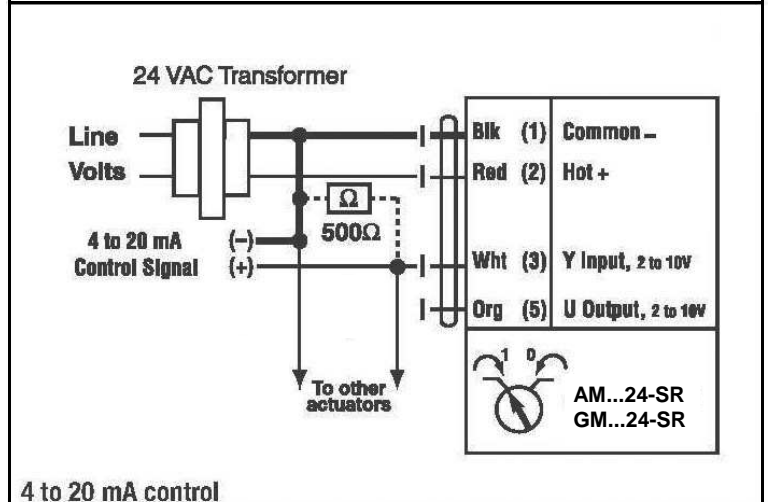


Auxiliary Switch

## 2-POSITION & FLOATING ACTUATOR WIRING

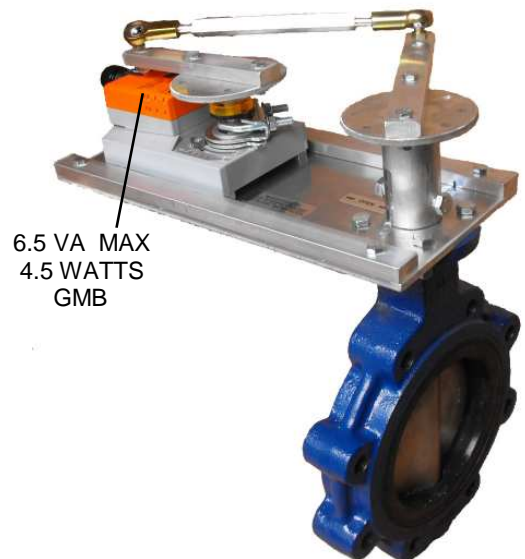


2 to 10 VDC control



4 to 20 mA control

## MODULATING ACTUATOR WIRING

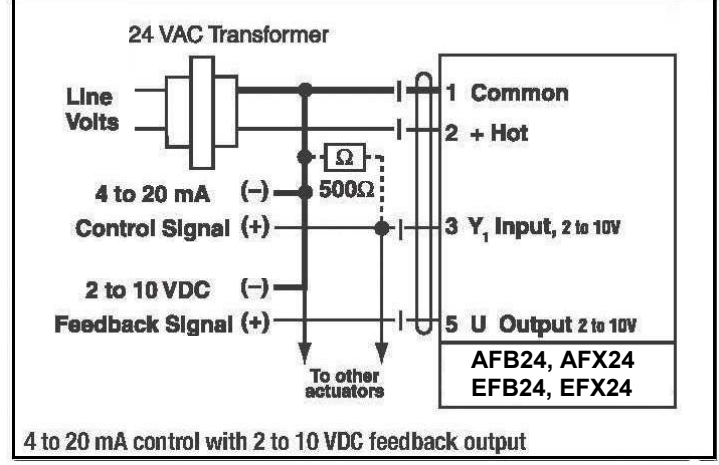
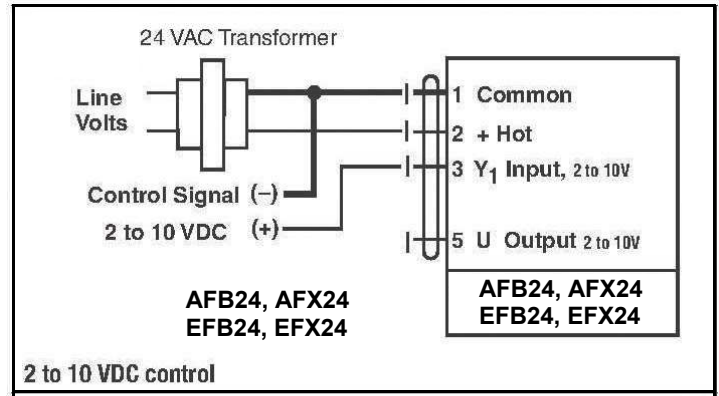
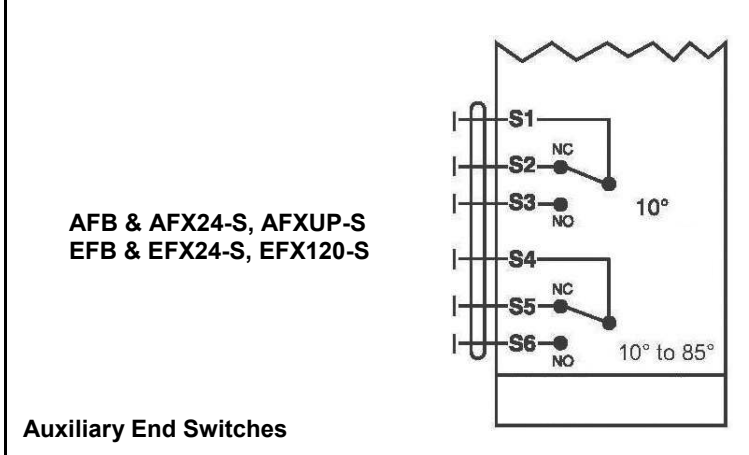
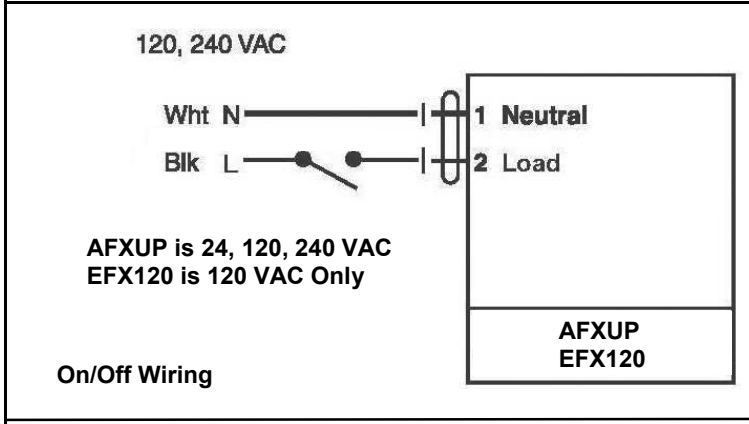
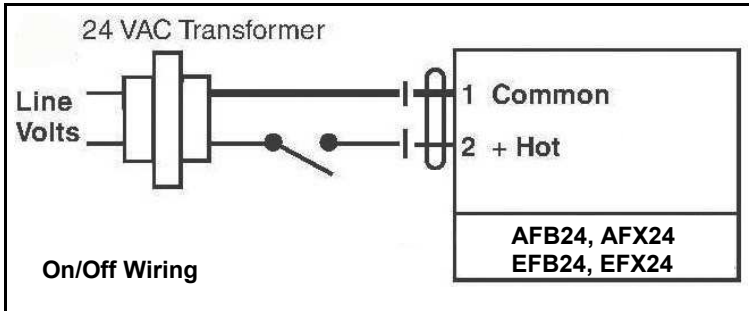


**WESLEY VALVE CO.**

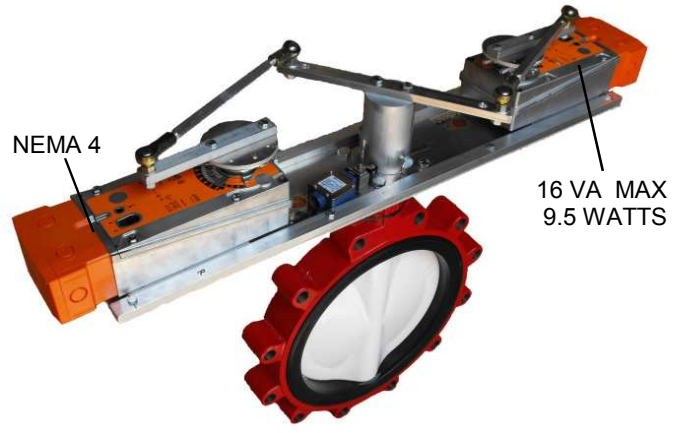
MFGRS OF AUTOMATED BUTTERFLY VALVES  
4938 S. Atlanta Rd., Ste. 100  
Atlanta, GA 30339  
PHN: (404) 351-8744 FAX: (404) 351-9340  
[www.wesleyvalve.com](http://www.wesleyvalve.com)

# WIRING FOR VALVE ASSEMBLIES WITH **BELIMO** DIRECT

## COUPLED SPRING RETURN ACTUATORS

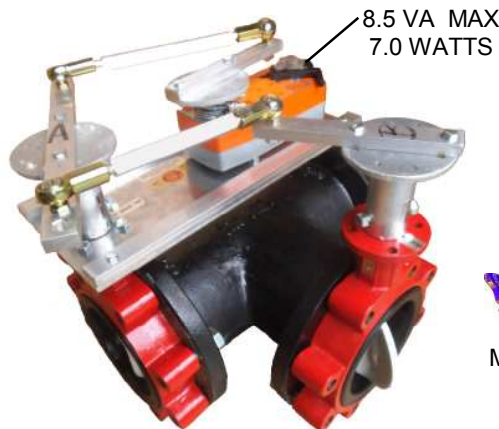
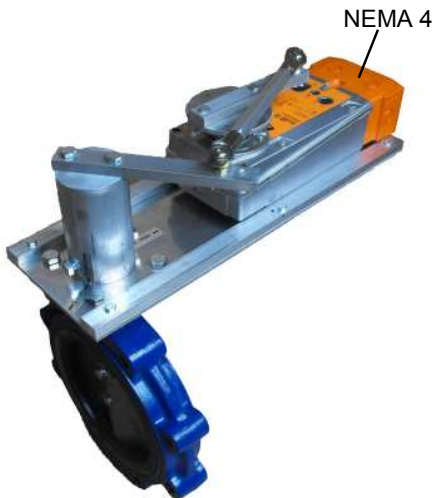


### MODULATING ACTUATOR WIRING



### 2-POSITION ACTUATOR WIRING

*EFB & EFX Actuators add -N4 to the part number to make it NEMA 4 for Outdoor Use*



**WESLEY VALVE CO.**

MFGRS OF AUTOMATED BUTTERFLY VALVES  
4938 S. Atlanta Rd., Ste. 100  
Atlanta, GA 30339  
PHN: (404) 351-8744 FAX: (404) 351-9340  
[www.wesleyvalve.com](http://www.wesleyvalve.com)