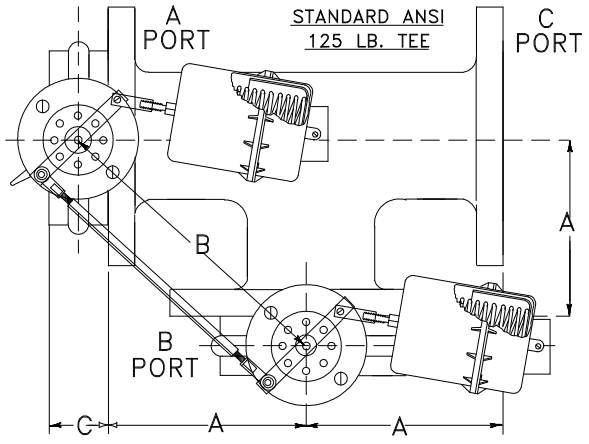




# AUTOMATED BUTTERFLY VALVE ASSEMBLIES WITH Schneider Electric PNEUMATIC ACTUATORS

Ratings are Based on Bray S31-119 & Keystone AR2 Valve Bodies



| ACTUATOR PART #<br>* = DUAL ACT. | SIZE | A DIM. | B DIM.   | C DIM. | Cv   | Max. Close Rating | Bubble Leak Occur. |
|----------------------------------|------|--------|----------|--------|------|-------------------|--------------------|
| MK-7121                          | 2    | 4.5    | 7 1/2    | 1 5/8  | 84   | 125               | 125#               |
| MK-3121                          | 2.5  | 5.0    | 8 1/4    | 1 3/4  | 163  | 125               | 125#               |
| MK-3121                          | 3    | 5.5    | 9 3/16   | 1 3/4  | 267  | 110               | 125#               |
| MK-3121                          | 4    | 6.5    | 10 3/4   | 2.0    | 496  | 110               | 50#                |
| MK-7121                          | 5    | 7.5    | 12 1/4   | 2 1/8  | 775  | 100               | 50#                |
| MK-7121                          | 6    | 8.0    | 13 15/16 | 2 1/8  | 1025 | 90                | 50#                |
| MK-7121                          | 8    | 9.0    | 14 7/8   | 2 1/2  | 1862 | 80                | 50#                |
| *MK-7121                         | 10   | 11     | 17 3/4   | 2 1/2  | 2948 | 70                | 50#                |
| *MK-7121                         | 12   | 12     | 19 3/4   | 3.0    | 4393 | 70                | 50#                |
| *JCI D3246-1                     | 14   | 14     | 21 3/4   | 3.0    | 5939 | 60                | 50#                |
| *JCI D3246-1                     | 16   | 15     | 24 3/4   | 4.0    | 7867 | 50                | 50#                |

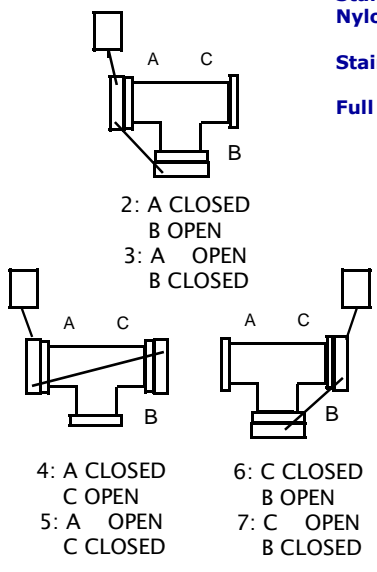
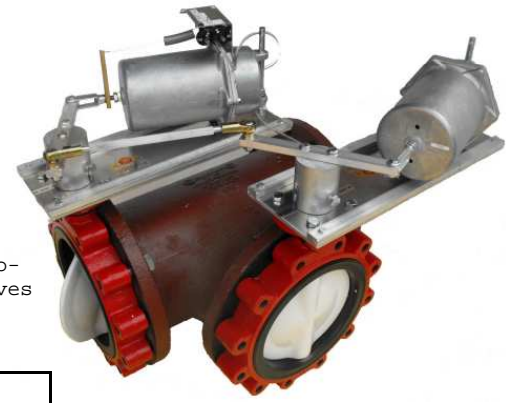
System pressure is normally not a resistance factor For 3-way valve disc closure.

### STANDARD VALVE BODY FEATURES

- EPDM Rubber Liner
- Stainless Steel or Nylon Coated Disc
- Stainless Steel Shaft
- Full Threaded Lug



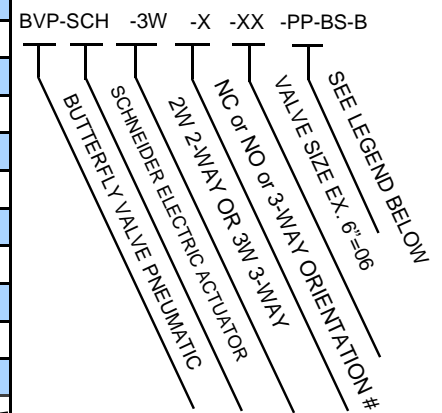
For Best Modulating Control Results Automated Butterfly Valves Are Adjusted For 70 Deg. Max. Opening



| SIZE | CV VALUES |       |       |       |       |       |     |     |  |
|------|-----------|-------|-------|-------|-------|-------|-----|-----|--|
| 2    | 144       | 84    | 61    | 43    | 27    | 16    | 7   | 1   |  |
| 2.5  | 282       | 163   | 107   | 67    | 43    | 24    | 11  | 1.5 |  |
| 3    | 461       | 267   | 154   | 96    | 61    | 35    | 15  | 2   |  |
| 4    | 841       | 496   | 274   | 171   | 109   | 62    | 27  | 3   |  |
| 5    | 1,376     | 775   | 428   | 268   | 170   | 98    | 43  | 5   |  |
| 6    | 1,850     | 1,025 | 567   | 354   | 225   | 129   | 56  | 6   |  |
| 8    | 3,316     | 1,862 | 1,081 | 680   | 421   | 241   | 102 | 12  |  |
| 10   | 5,430     | 2,948 | 1,710 | 1,076 | 667   | 382   | 162 | 19  |  |
| 12   | 8,077     | 4,393 | 2,563 | 1,594 | 1,005 | 555   | 235 | 27  |  |
| 14   | 10,538    | 5,939 | 3,384 | 2,149 | 1,320 | 756   | 299 | 34  |  |
| 16   | 13,966    | 7,867 | 4,483 | 2,847 | 1,749 | 1,001 | 397 | 45  |  |

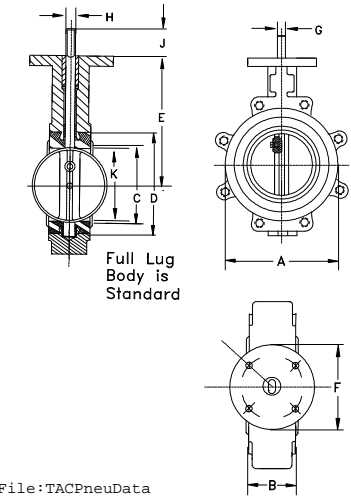
90° 70° 60° 50° 40° 30° 20° 10°

### 3-WAY VALVE ORIENTATIONS



### Part Numbering System

**Legend**  
RF = Retrofit Kit  
PP = Positive Positioner  
BS = Valve Bump Switch  
SS = Stainless Rod Ends & Bolts  
B = Bray, K = Keystone



### DIMENSIONS

| SIZE | A     | B    | D     | E     | F    | G    | H   | J    | K     |
|------|-------|------|-------|-------|------|------|-----|------|-------|
| 2"   | 3.69  | 1.62 | 2.84  | 5.50  | 3.54 | .55  | .39 | 1.25 | 1.32  |
| 2.5" | 4.19  | 1.75 | 3.34  | 6.00  | 3.54 | .55  | .39 | 1.25 | 1.91  |
| 3"   | 4.88  | 1.75 | 4.03  | 6.25  | 3.54 | .55  | .39 | 1.25 | 2.55  |
| 4"   | 6.06  | 2.00 | 5.16  | 7.00  | 3.54 | .63  | .43 | 1.25 | 3.57  |
| 5"   | 7.12  | 2.12 | 6.16  | 7.50  | 3.54 | .75  | .51 | 1.25 | 4.63  |
| 6"   | 8.12  | 2.12 | 7.02  | 8.00  | 3.54 | .75  | .51 | 1.25 | 5.45  |
| 8"   | 10.50 | 2.50 | 9.47  | 9.50  | 5.91 | .87  | .63 | 1.25 | 7.45  |
| 10"  | 12.75 | 2.50 | 11.47 | 10.75 | 5.91 | 1.18 | .87 | 2.00 | 9.53  |
| 12"  | 14.88 | 3.00 | 9.47  | 9.50  | 5.91 | 1.18 | .87 | 2.00 | 11.47 |
| 14"  | 17.05 | 3.00 | 15.28 | 13.62 | 5.91 | 1.38 | N/A | 2.00 | 13.04 |
| 16"  | 19.21 | 4.00 | 17.41 | 14.75 | 5.91 | 1.38 | N/A | 2.00 | 14.85 |



### WESLEY VALVE CO.

MFGRS OF AUTOMATED BUTTERFLY VALVES  
4938 S. Atlanta Rd., Ste. 100  
Atlanta, GA 30339  
PHN: (404) 351-8744  
FAX: (404) 351-9340  
[www.wesleyvalve.com](http://www.wesleyvalve.com)