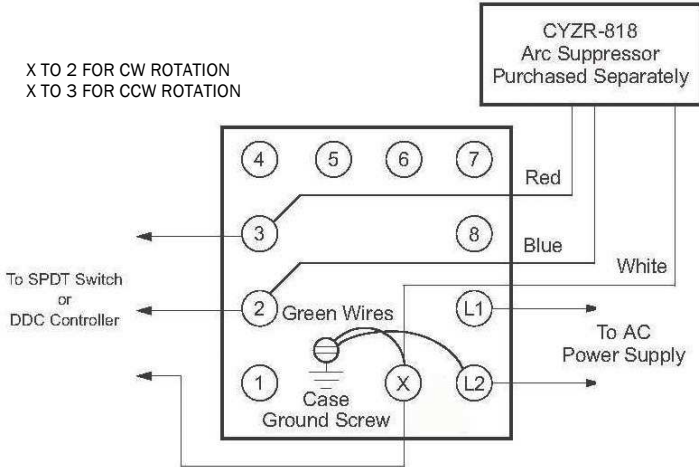
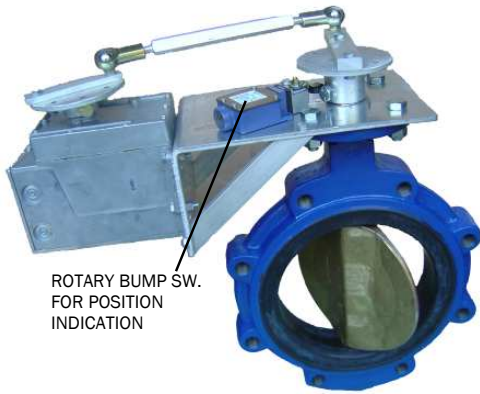


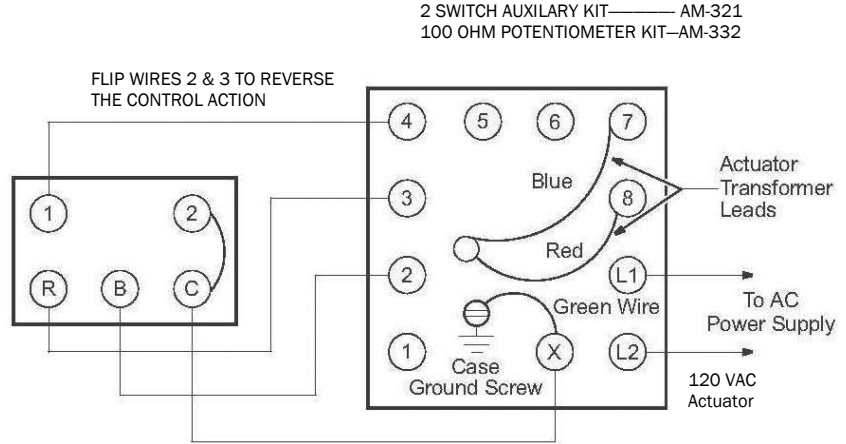
GEAR TRAIN ACTUATORS



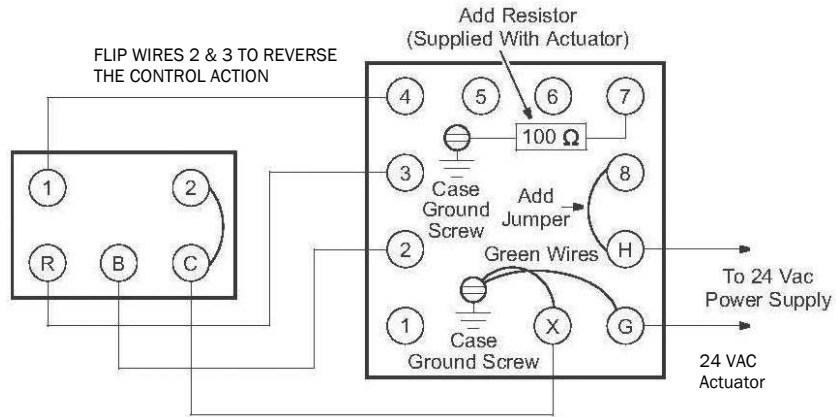
WIRING FOR FLOATING OR SWITCHED CONTROL



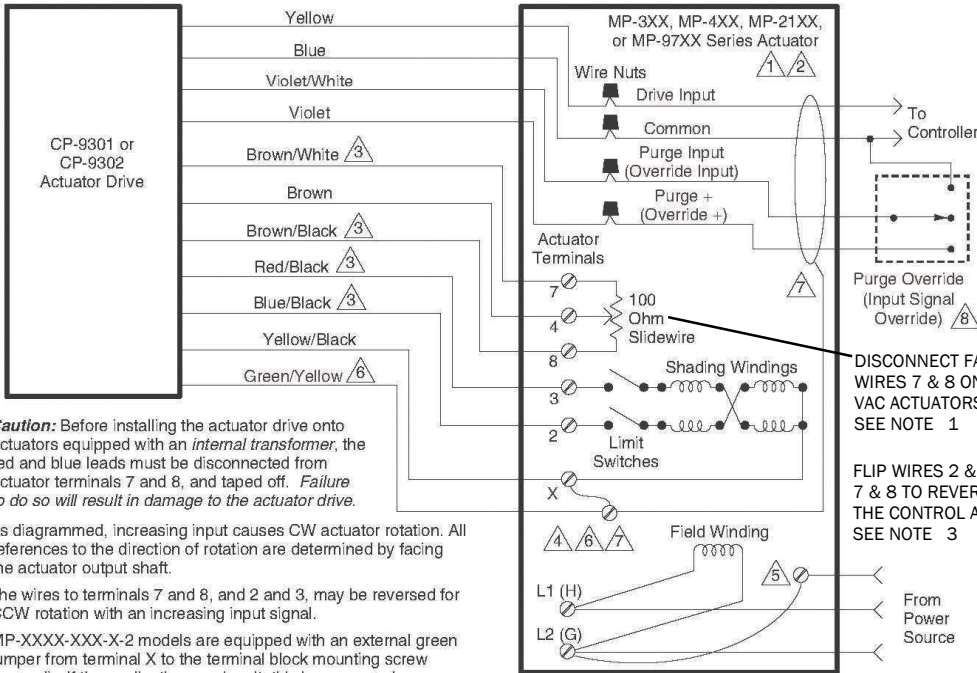
ROTARY BUMP SW. FOR POSITION INDICATION



WIRING FOR MICOTHERM CONTROL (i.e. TP-202 THERMOSTAT)



WIRING FOR MICOTHERM CONTROL (i.e. TP-202 THERMOSTAT)



- ⚠ **Caution:** Before installing the actuator drive onto actuators equipped with an internal transformer, the red and blue leads must be disconnected from actuator terminals 7 and 8, and taped off. Failure to do so will result in damage to the actuator drive.
- ② As diagrammed, increasing input causes CW actuator rotation. All references to the direction of rotation are determined by facing the actuator output shaft.
- ③ The wires to terminals 7 and 8, and 2 and 3, may be reversed for CCW rotation with an increasing input signal.
- ④ MP-XXXX-XXX-X-2 models are equipped with an external green jumper from terminal X to the terminal block mounting screw (ground). If the application requires it, this jumper may be removed for isolation purposes.
- ⑤ 24 Vac models are equipped with a jumper from terminal G to the case ground screw.
- ⑥ The green/yellow wire must be installed under the terminal block mounting screw.
- ⚡ Shield must be grounded to the terminal block mounting screw.

- ⑧ Purge override (input signal override) is available on CP-9302 only. A dry contact closure from the override input (violet/white) lead to the blue lead of the actuator drive forces the actuator to drive to the end of travel, independent of the input signal conditions. Connecting the violet/white and violet leads together forces the actuator to drive to the opposite (high input signal) end of travel, independent of input signal conditions.

Schneider Electric ACTUATORS



SOLID STATE DRIVE

CP-9301-456 0-10 VDC SS DRIVE
CP-9302 4-20 mA SS DRIVE



WESLEY VALVE CO.

MFGRS OF AUTOMATED BUTTERFLY VALVES
4938 S. Atlanta Rd., Ste. 100
Atlanta, GA 30339
PHN: (404) 351-8744 FAX: (404) 351-9340
www.Wesleyvalve.com

0-10 VDC or 4-20 mA CONTROL WITH A SOLID STATE