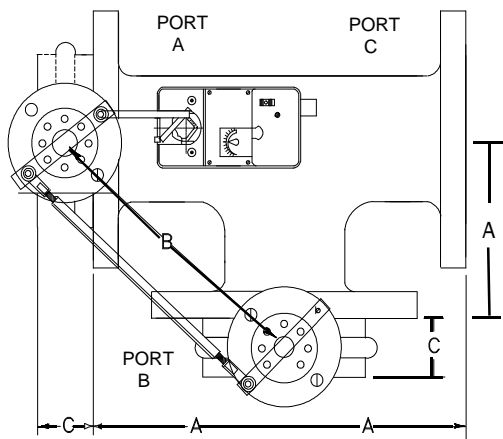
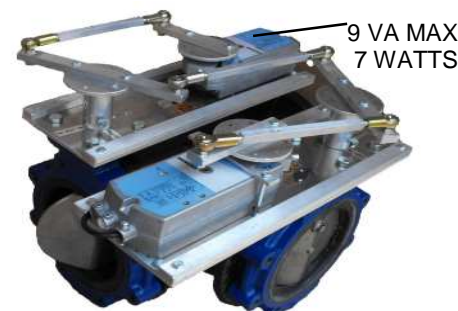
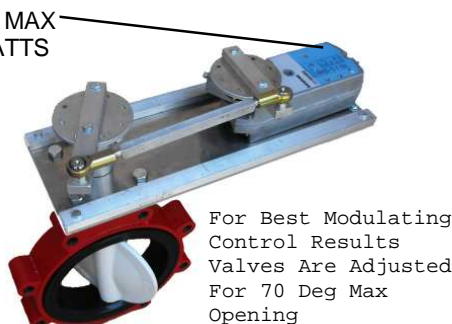
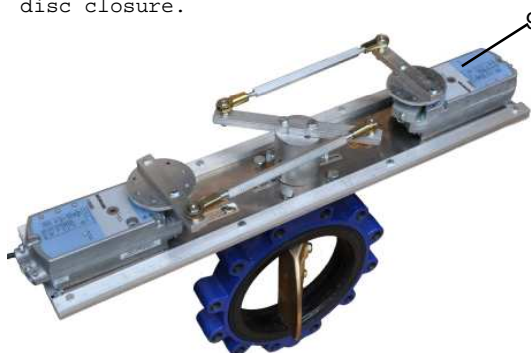


AUTOMATED BUTTERFLY VALVES WITH SIEMENS ACTUATORS



System pressure is normally not a resistance factor For 3-way valve disc closure.

ACTUATOR PART # * = DUAL ACTUATORS	SIZE	A DIM.	B DIM.	C DIM.	Cv	Max. Close Rating	Bubble Leak Occur.
GEB or GCA	2	4.5	7 1/2	1 5/8	84	125	125#
GEB or GCA	2.5	5.0	8 1/4	1 3/4	163	125	125#
GEB or GCA	3	5.5	9 3/16	1 3/4	267	110	125#
GEB or GCA	4	6.5	10 3/4	2.0	496	110	50#
GEB or GCA	5	7.5	12 1/4	2 1/8	775	95	50#
GEB or GCA	6	8.0	13 15/16	2 1/8	1025	85	50#
GIB or *GCA	8	9.0	14 7/8	2 1/2	1862	85	50#
GIB or *GCA	10	11	17 3/4	2 1/2	2948	75	50#
GIB or *GCA	12	12	19 3/4	3.0	4393	60	50#
*GIB-(4) on 3-Way	14	14	21 3/4	3.0	5939	70	50#
*GIB-(4) on 3-Way	16	15	24 3/4	4.0	7867	60	50#



Dual Spring Return Actuators For 8", 10", & 12" Valves

Ratings are Based on Bray S31-119 & Keystone AR2 Valve Bodies

STANDARD VALVE BODY FEATURES

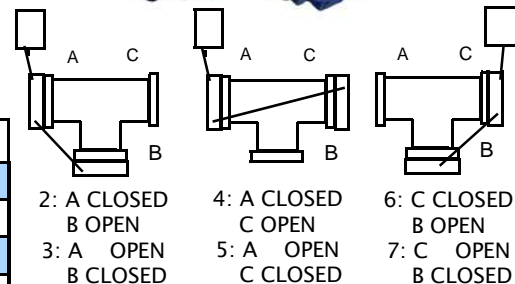
- EPDM Rubber liner
- Stainless Steel or Nylon Coated Disc
- Stainless Steel Shaft
- Full Threaded Lug

SIZE	CV VALUES							
2	144	84	61	43	27	16	7	1
2.5	282	163	107	67	43	24	11	1.5
3	461	267	154	96	61	35	15	2
4	841	496	274	171	109	62	27	3
5	1,376	775	428	268	170	98	43	5
6	1,850	1,025	567	354	225	129	56	6
8	3,316	1,862	1,081	680	421	241	102	12
10	5,430	2,948	1,710	1,076	667	382	162	19
12	8,077	4,393	2,563	1,594	1,005	555	235	27
14	10,538	5,939	3,384	2,149	1,320	756	299	34
16	13,966	7,867	4,483	2,847	1,749	1,001	397	45

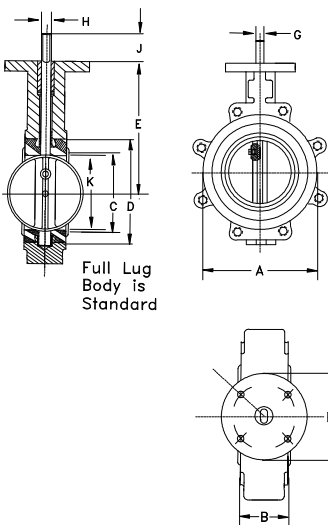
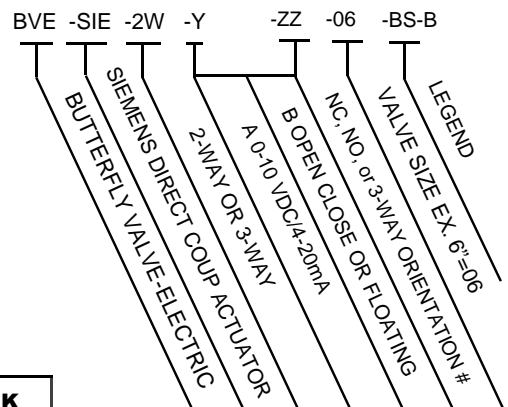
ANGLE	90°	70°	60°	50°	40°	30°	20°	10°

DIMENSIONS

SIZE	A	B	D	E	F	G	H	J	K
2"	3.69	1.62	2.84	5.50	3.54	.55	.39	1.25	1.32
2.5"	4.19	1.75	3.34	6.00	3.54	.55	.39	1.25	1.91
3"	4.88	1.75	4.03	6.25	3.54	.55	.39	1.25	2.55
4"	6.06	2.00	5.16	7.00	3.54	.63	.43	1.25	3.57
5"	7.12	2.12	6.16	7.50	3.54	.75	.51	1.25	4.63
6"	8.12	2.12	7.02	8.00	3.54	.75	.51	1.25	5.45
8"	10.50	2.50	9.47	9.50	5.91	.87	.63	1.25	7.45
10"	12.75	2.50	11.47	10.75	5.91	1.18	.87	2.00	9.53
12"	14.88	3.00	9.47	9.50	5.91	1.18	.87	2.00	11.47
14"	17.05	3.00	15.28	13.62	5.91	1.38	N/A	2.00	13.04
16"	19.21	4.00	17.41	14.75	5.91	1.38	N/A	2.00	14.85



3-WAY VALVE ORIENTATIONS



File:JCIDirectCoupData



WESLEY VALVE CO.

MFGRS OF AUTOMATED BUTTERFLY VALVES
 4938 S. Atlanta Rd., Ste. 100
 Atlanta, GA 30339
 PHN: (404) 351-8744
 FAX: (404) 351-9340
www.wesleyvalve.com

Legend

BS = Valve Bump Switch
 B = Bray, K = Keystone
 RF = Retrofit Kit