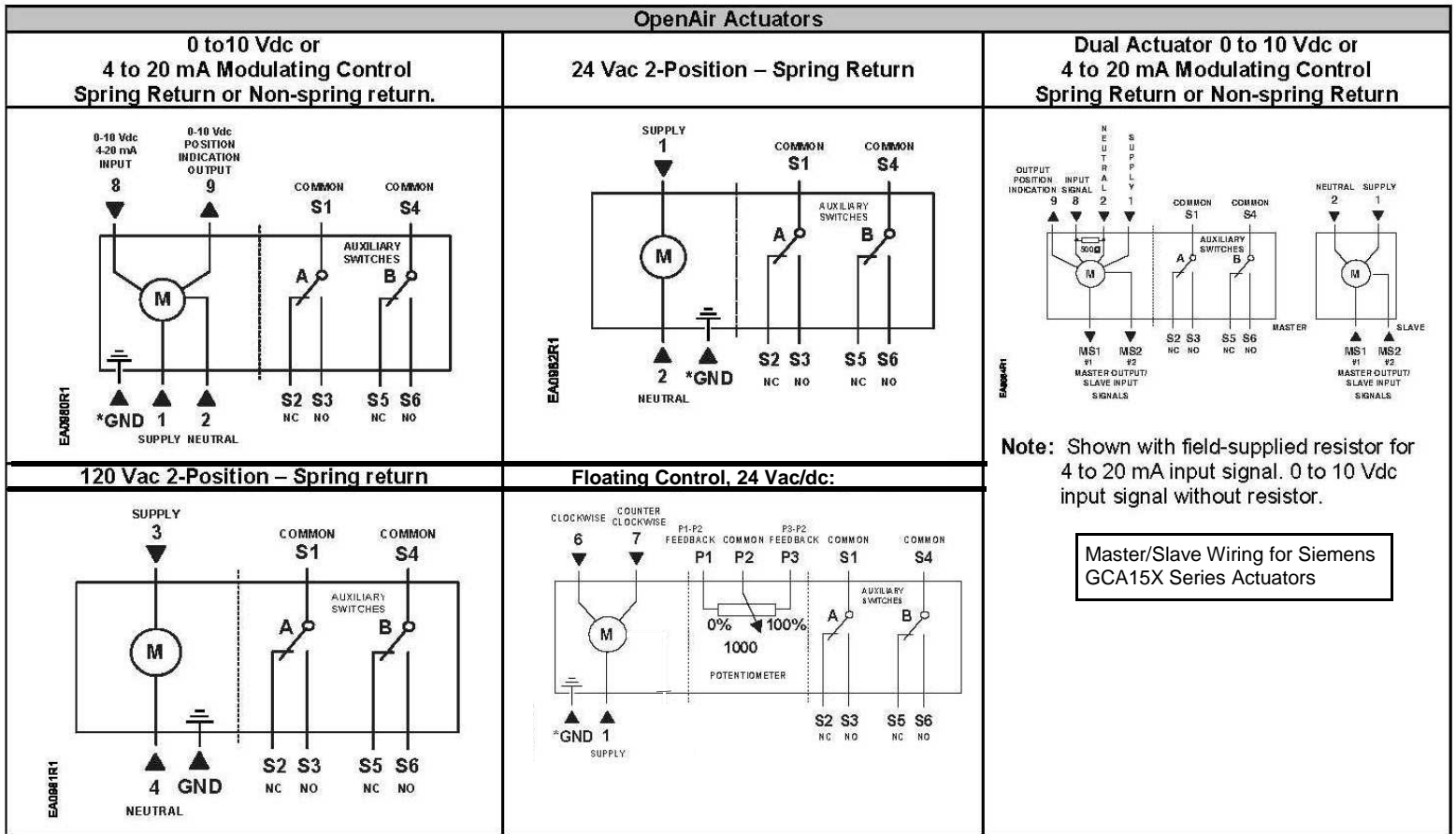


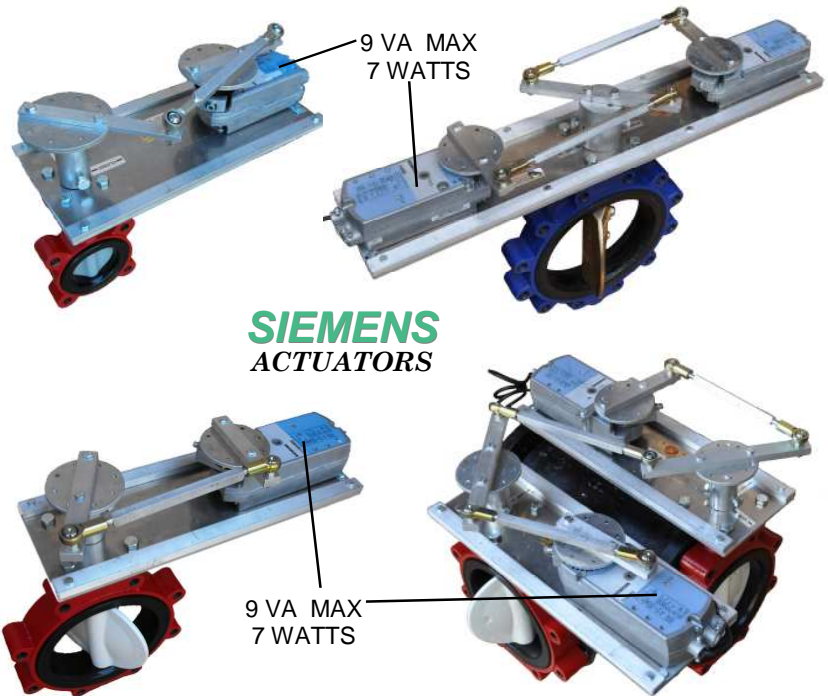
# WIRING FOR VALVE ASSEMBLIES WITH SIEMENS

## DIRECT COUPLED ACTUATORS



**Table 2. Wire Designations.**

Standard Symbol	Function	Terminal Connection	Color	
			Standard	Plenum
1	Supply (SP)	G	Red	Red
2	Neutral (SN)	G0	Black	Black
3	Line	L	Black	Black
4	Neutral	N	White	White
6	Control signal clockwise	Y1	Violet	Violet
7	Control signal counterclockwise (GCA16x)	Y2	Orange	Orange
8	Input Signal 0 to 10 Vdc (GCA16x) 2 to 10 Vdc (GCA15x)	Y	Gray	Gray
9	Position Output 0 to 10 Vdc (GCA16x) 2 to 10 Vdc (GCA15x)	U	Pink	Pink
S1	Switch A Common	Q11	Gray/ red	Gray/ red
S2	Switch A N.C.	Q12	Gray/ blue	Gray/ blue
S3	Switch A N.O.	Q14	Gray/ pink	Gray/ pink
S4	Switch B Common	Q21	Black/ red	Black/ red
S5	Switch B N.C.	Q22	Black/ blue	Black/ blue
S6	Switch B N.O.	Q24	Black/ pink	Black/ pink
P1	Feedback Potentiometer 0 to 100% P1 - P2	a	White/ red	Black
P2	Feedback Potentiometer Common	b	White/ blue	Black
P3	Feedback Potentiometer 100 to 0% P3 - P2	c	White/ pink	Black



**WESLEY VALVE CO.**

MFGRS OF AUTOMATED BUTTERFLY VALVES  
 4938 S. Atlanta Rd., Ste. 100  
 Atlanta, GA 30339  
 PHN: (404) 351-8744 FAX: (404) 351-9340  
[WWW.WESLEYVALVE.COM](http://WWW.WESLEYVALVE.COM)