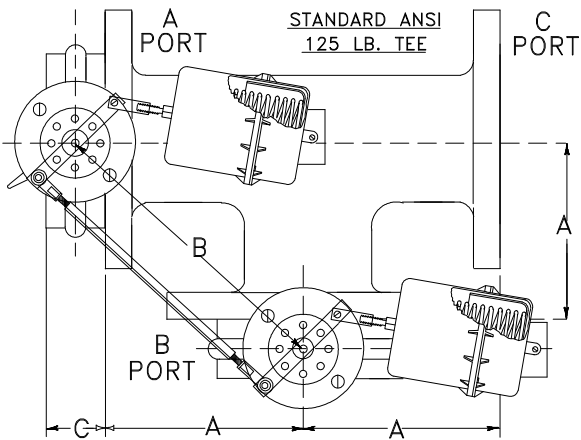




# AUTOMATED BUTTERFLY VALVE ASSEMBLIES WITH **HONEYWELL** PNEUMATIC ACTUATORS

Ratings are Based on Bray S31-119 & Keystone AR2 Valve Bodies



ACTUATOR PART # * = DUAL ACT.	SIZE	A DIM.	B DIM.	C DIM.	Cv	Max. Close Rating	Bubble Leak Occur.
MP909E	2	4.5	7 1/2	1 5/8	84	125	125#
MP909E	2.5	5.0	8 1/4	1 3/4	163	125	125#
MP909E	3	5.5	9 3/16	1 3/4	267	110	125#
MP909E	4	6.5	10 3/4	2.0	496	110	50#
MP918B	5	7.5	12 1/4	2 1/8	775	100	50#
MP918B	6	8.0	13 15/16	2 1/8	1025	90	50#
MP918B	8	9.0	14 7/8	2 1/2	1862	80	50#
*MP918B	10	11	17 3/4	2 1/2	2948	70	50#
*MP918B	12	12	19 3/4	3.0	4393	70	50#
*MP920B	14	14	21 3/4	3.0	5939	60	50#
*MP920B	16	15	24 3/4	4.0	7867	50	50#

System pressure is normally not a resistance factor For 3-way valve disc closure.

## STANDARD VALVE BODY FEATURES

EPDM Rubber Liner

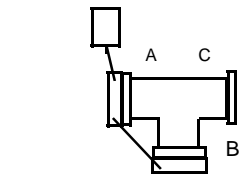
Stainless Steel or Nylon Coated Disc

Stainless Steel Shaft

Full Threaded Lug

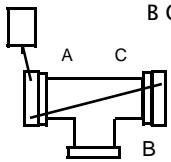


**HONEYWELL**



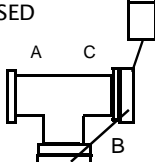
2: A CLOSED  
B OPEN

3: A OPEN  
B CLOSED



4: A CLOSED  
C OPEN

5: A OPEN  
C CLOSED



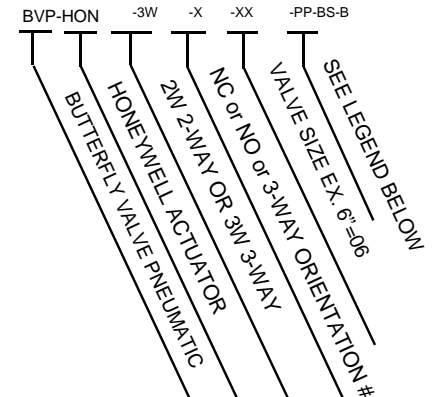
6: C CLOSED  
B OPEN

7: C OPEN  
B CLOSED

## 3-WAY VALVE ORIENTATIONS

SIZE	CV VALUES							
2	144	84	61	43	27	16	7	1
2.5	282	163	107	67	43	24	11	1.5
3	461	267	154	96	61	35	15	2
4	841	496	274	171	109	62	27	3
5	1,376	775	428	268	170	98	43	5
6	1,850	1,025	567	354	225	129	56	6
8	3,316	1,862	1,081	680	421	241	102	12
10	5,430	2,948	1,710	1,076	667	382	162	19
12	8,077	4,393	2,563	1,594	1,005	555	235	27
14	10,538	5,939	3,384	2,149	1,320	756	299	34
16	13,966	7,867	4,483	2,847	1,749	1,001	397	45

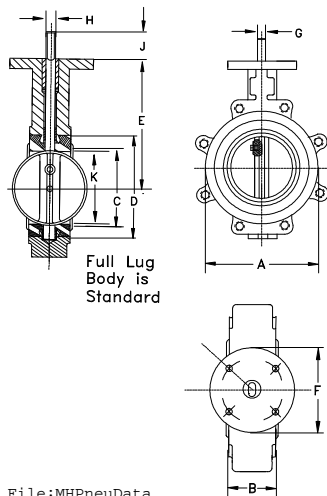
For Best Modulating Control Results Automated Butterfly Valves Are Adjusted For 70 Deg. Max. Opening



## DIMENSIONS

SIZE	A	B	D	E	F	G	H	J	K
2"	3.69	1.62	2.84	5.50	3.54	.55	.39	1.25	1.32
2.5"	4.19	1.75	3.34	6.00	3.54	.55	.39	1.25	1.91
3"	4.88	1.75	4.03	6.25	3.54	.55	.39	1.25	2.55
4"	6.06	2.00	5.16	7.00	3.54	.63	.43	1.25	3.57
5"	7.12	2.12	6.16	7.50	3.54	.75	.51	1.25	4.63
6"	8.12	2.12	7.02	8.00	3.54	.75	.51	1.25	5.45
8"	10.50	2.50	9.47	9.50	5.91	.87	.63	1.25	7.45
10"	12.75	2.50	11.47	10.75	5.91	1.18	.87	2.00	9.53
12"	14.88	3.00	9.47	9.50	5.91	1.18	.87	2.00	11.47
14"	17.05	3.00	15.28	13.62	5.91	1.38	N/A	2.00	13.04
16"	19.21	4.00	17.41	14.75	5.91	1.38	N/A	2.00	14.85

**LEGEND**  
RF = Retrofit Kit  
PP = Positive Positioner  
BS = Valve Bump Switch  
SS = Stainless Rod Ends & Bolts  
B = Bray, K = Keystone



File: MHPneuData



**WESLEY VALVE CO.**

MFGRS OF AUTOMATED BUTTERFLY VALVES  
4938 S. Atlanta Rd., Ste. 100  
Atlanta, GA 30339  
PHN: (404) 351-8744  
FAX: (404) 351-9340