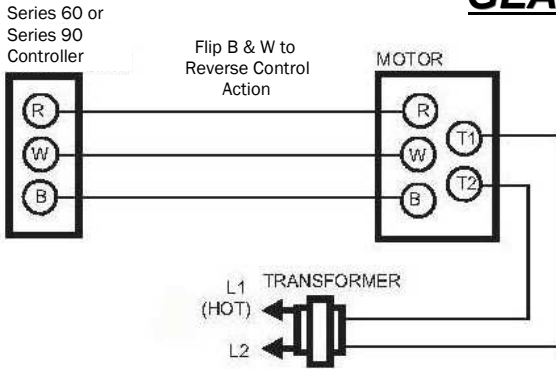
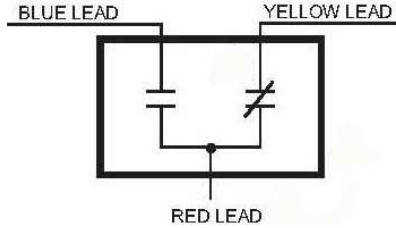


WIRING FOR VALVE ASSEMBLIES WITH **HONEYWELL**

GEAR TRAIN ACTUATORS

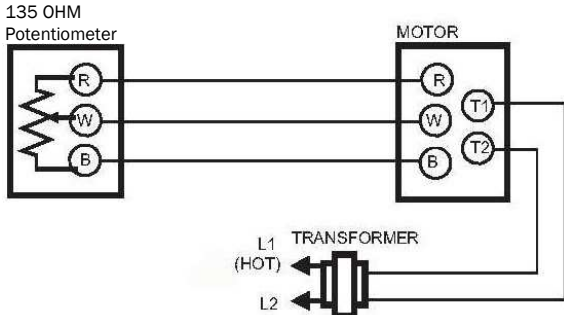
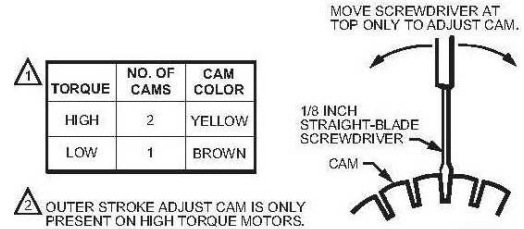
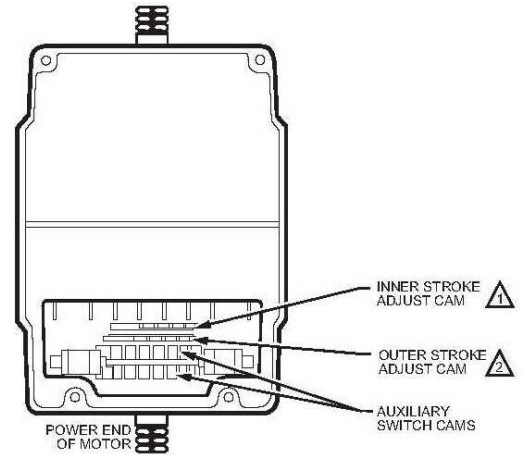


FLOATING OR 135 OHM SLIDEWIRE CONTROL



On 2 Auxiliary Switch Actuators the 2nd Switch has Black Leads with Blue, Yellow, & Red Tracers

AUXILIARY SWITCH WIRING

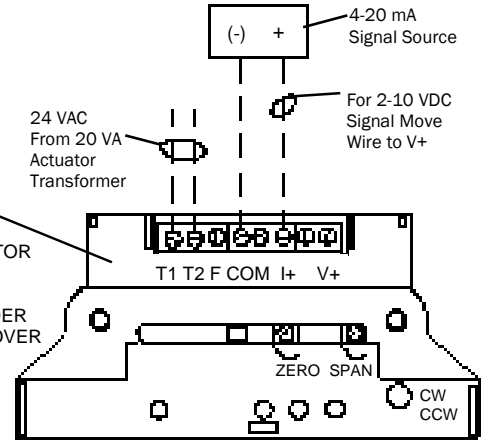
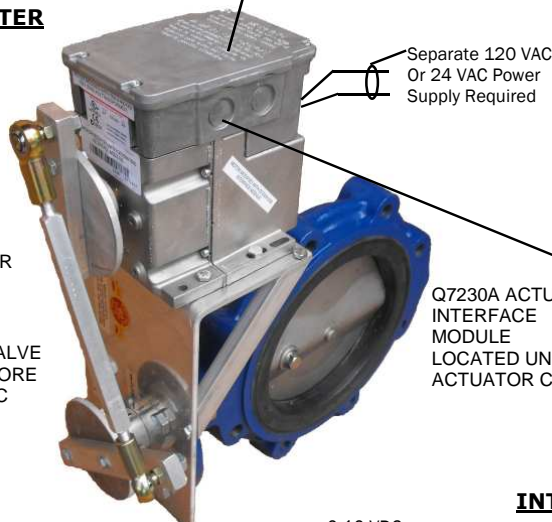


135 OHM MANUAL POTENTIOMETER

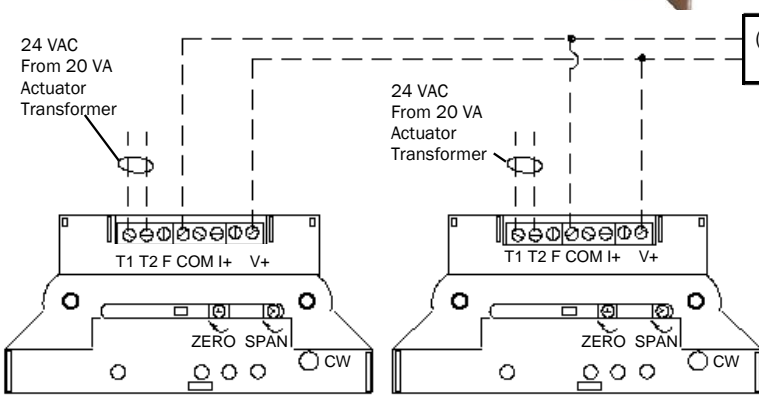
CONDENSOR WATER VALVE

ACTUATOR HAS 4 TO 1 LEVER OR TORQUING ADVANTAGE

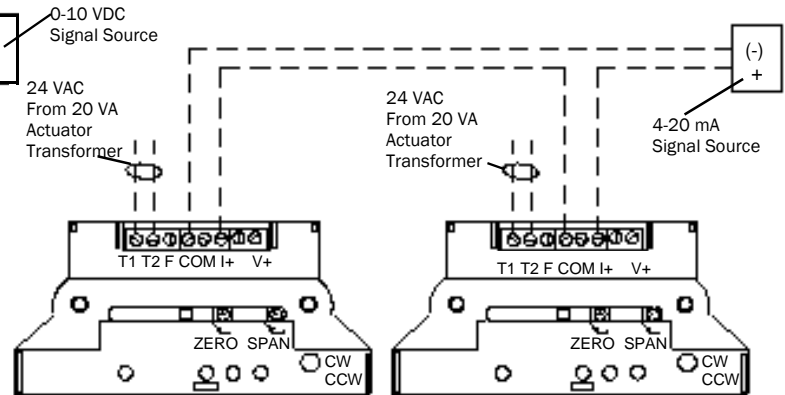
160 DEG ACTUATOR TO 70 DEG VALVE ROTATION OR A 2.3 TO 1 RATIO MORE THAN DOUBLES THROTTLING DISC REPOSITIONS (RESOLUTION)



INTERFACE MODULE FOR VDC & mA CONTROL



**PRECISION CONTROL REQUIRING (2) 0-10 VDC ACTUATORS
WIRING IS SAME FOR 1/3-2/3 VALVE SETUPS**



**PRECISION CONTROL REQUIRING (2) 4-20mA ACTUATORS
WIRING IS SAME FOR 1/3-2/3 VALVE SETUPS**

Set 1/3 Valve Assembly for 0-5 VDC & the 2/3 Assembly For 5-10 VDC
For Dual Actuator Applications set them both for 0-10 VDC

Set 1/3 Valve Assembly for 4-12 mA & the 2/3 Assembly For 12-20 mA
For Dual Actuator Applications set them both for 4-20 mA



WESLEY VALVE CO.

MFGRS OF AUTOMATED BUTTERFLY VALVES
4938 S. Atlanta Rd., Ste. 100
Smyrna, GA 30080

PHN: (404) 351-8744 FAX: (404) 351-9340

www.Wesleyvalve.com