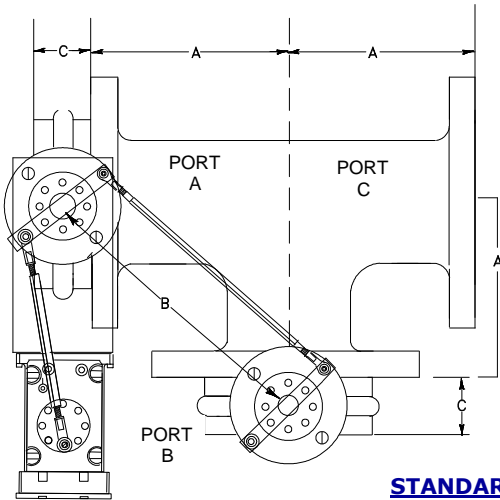




# AUTOMATED BUTTERFLY VALVE ASSEMBLIES WITH **HONEYWELL** GEARTRAIN ACTUATORS

Ratings are Based on Bray S31-119 & Keystone AR2 Valve Bodies



GEARTRAIN ACTUATOR PART #	SIZE IN.	A DIM.	B DIM.	C DIM.	Cv	Max. Close Rating	Bubble Leak Occur.
M6184D,M9174D	2"	4.5	7 1/2	1 5/8	84	125	125#
M6184D,M9174D	2.5	5.0	8 1/4	1 3/4	163	125	125#
M6184D,M9174D	3	5.5	9 3/16	1 3/4	267	100	125#
M6184D,M9174D	4	6.5	10 3/4	2.0	496	100	50#
M6184D,M9174D	5	7.5	12 1/4	2 1/8	775	90	50#
M6184D,M9174D	6	8.0	13 15/16	2 1/8	1025	80	50#
M6184D,M9184A	8	9.0	14 7/8	2 1/2	1862	70	50#
M6184D,M9184A	10	11	17 3/4	2 1/2	2948	60	50#
M6184D,M9184A	12	12	19 3/4	3.0	4393	50	50#
*M6194D,M9184A,M9194D	14	14	21 3/4	3.0	5939	70	50#
*M6194D,M9184A,M9194D	16	15	24 3/4	4.0	7867	60	50#

## STANDARD VALVE BODY FEATURES

EPDM Rubber Liner

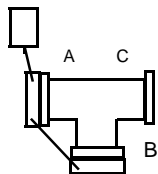
Stainless Steel or Nylon Coated Disc

Stainless Steel Shaft

Full Threaded Lug

System pressure is normally not a resistance factor For 3-way valve disc closure.

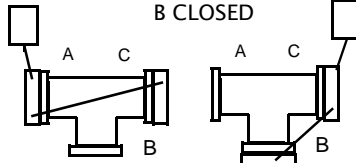
**HONEYWELL**



160 TO 60 DEG VALVE TURN ASSEMBLY INCREASES DISC REPOSITIONS (RESOLUTION) BY 266%

2: A CLOSED  
B OPEN

3: A OPEN  
B CLOSED



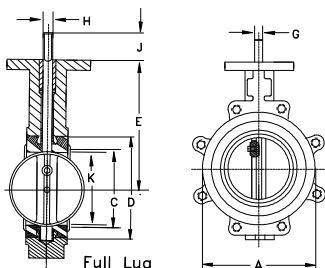
4: A CLOSED  
C OPEN

6: C CLOSED  
B OPEN

5: A OPEN  
C CLOSED

7: C OPEN  
B CLOSED

## 3-WAY VALVE ORIENTATIONS

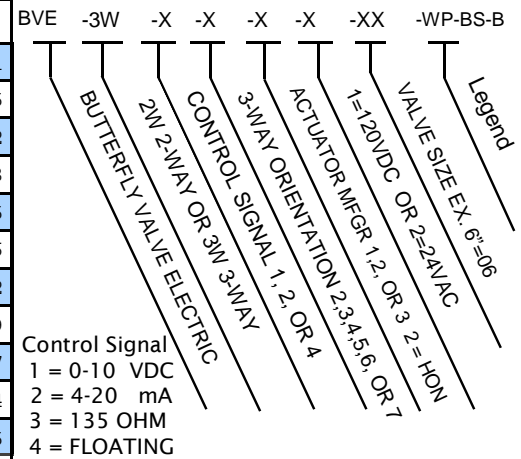


Full Lug Body is Standard

SIZE	CV VALUES							
2	144	84	61	43	27	16	7	1
2.5	282	163	107	67	43	24	11	1.5
3	461	267	154	96	61	35	15	2
4	841	496	274	171	109	62	27	3
5	1,376	775	428	268	170	98	43	5
6	1,850	1,025	567	354	225	129	56	6
8	3,316	1,862	1,081	680	421	241	102	12
10	5,430	2,948	1,710	1,076	667	382	162	19
12	8,077	4,393	2,563	1,594	1,005	555	235	27
14	10,538	5,939	3,384	2,149	1,320	756	299	34
16	13,966	7,867	4,483	2,847	1,749	1,001	397	45

## DIMENSIONS

SIZE	A	B	D	E	F	G	H	J	K
2"	3.69	1.62	2.84	5.50	3.54	.55	.39	1.25	1.32
2.5"	4.19	1.75	3.34	6.00	3.54	.55	.39	1.25	1.91
3"	4.88	1.75	4.03	6.25	3.54	.55	.39	1.25	2.55
4"	6.06	2.00	5.16	7.00	3.54	.63	.43	1.25	3.57
5"	7.12	2.12	6.16	7.50	3.54	.75	.51	1.25	4.63
6"	8.12	2.12	7.02	8.00	3.54	.75	.51	1.25	5.45
8"	10.50	2.50	9.47	9.50	5.91	.87	.63	1.25	7.45
10"	12.75	2.50	11.47	10.75	5.91	1.18	.87	2.00	9.53
12"	14.88	3.00	9.47	9.50	5.91	1.18	.87	2.00	11.47
14"	17.05	3.00	15.28	13.62	5.91	1.38	N/A	2.00	13.04
16"	19.21	4.00	17.41	14.75	5.91	1.38	N/A	2.00	14.85



Control Signal  
1 = 0-10 VDC  
2 = 4-20 mA  
3 = 135 OHM  
4 = FLOATING

## Legend

WP = Weatherproof  
BS = Valve Bump Switch  
B = Bray, K = Keystone  
SS = Stainless Rod Ends & Bolts  
RF = Retrofit Kit



## WESLEY VALVE CO.

MFGRS OF AUTOMATED BUTTERFLY VALVES  
4938 S. Atlanta Rd., Ste. 100  
Atlanta, GA 30339  
PHN: (404) 351-8744  
FAX: (404) 351-9340  
[www.wesleyvalve.com](http://www.wesleyvalve.com)