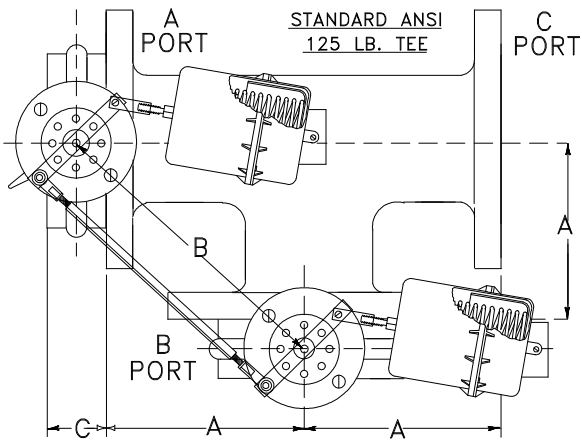




AUTOMATED BUTTERFLY VALVE ASSEMBLIES

WITH **JOHNSON CONTROLS**  **PNEUMATIC ACTUATORS**

Ratings are Based on Bray S31-119 & Keystone AR2 Valve Bodies



System pressure is normally not a resistance factor For 3-way valve disc closure.

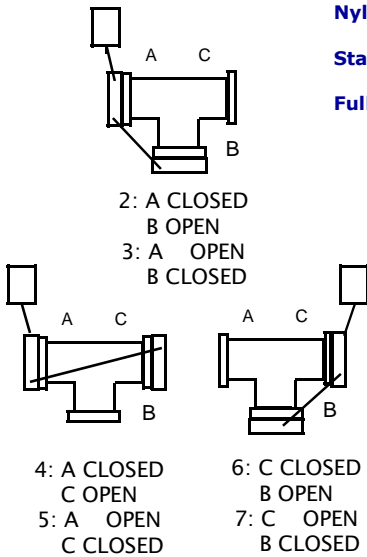
STANDARD VALVE BODY FEATURES

EPDM Rubber Liner

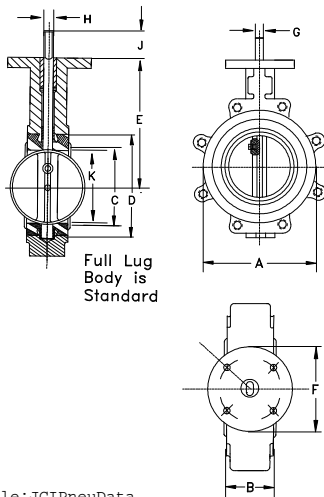
Stainless Steel or Nylon Coated Disc

Stainless Steel Shaft

Full Threaded Lug



3-WAY VALVE ORIENTATIONS



SIZE	CV VALUES							
2	144	84	61	43	27	16	7	1
2.5	282	163	107	67	43	24	11	1.5
3	461	267	154	96	61	35	15	2
4	841	496	274	171	109	62	27	3
5	1,376	775	428	268	170	98	43	5
6	1,850	1,025	567	354	225	129	56	6
8	3,316	1,862	1,081	680	421	241	102	12
10	5,430	2,948	1,710	1,076	667	382	162	19
12	8,077	4,393	2,563	1,594	1,005	555	235	27
14	10,538	5,939	3,384	2,149	1,320	756	299	34
16	13,966	7,867	4,483	2,847	1,749	1,001	397	45

DIMENSIONS

SIZE	A	B	D	E	F	G	H	J	K
2"	3.69	1.62	2.84	5.50	3.54	.55	.39	1.25	1.32
2.5"	4.19	1.75	3.34	6.00	3.54	.55	.39	1.25	1.91
3"	4.88	1.75	4.03	6.25	3.54	.55	.39	1.25	2.55
4"	6.06	2.00	5.16	7.00	3.54	.63	.43	1.25	3.57
5"	7.12	2.12	6.16	7.50	3.54	.75	.51	1.25	4.63
6"	8.12	2.12	7.02	8.00	3.54	.75	.51	1.25	5.45
8"	10.50	2.50	9.47	9.50	5.91	.87	.63	1.25	7.45
10"	12.75	2.50	11.47	10.75	5.91	1.18	.87	2.00	9.53
12"	14.88	3.00	9.47	9.50	5.91	1.18	.87	2.00	11.47
14"	17.05	3.00	15.28	13.62	5.91	1.38	N/A	2.00	13.04
16"	19.21	4.00	17.41	14.75	5.91	1.38	N/A	2.00	14.85

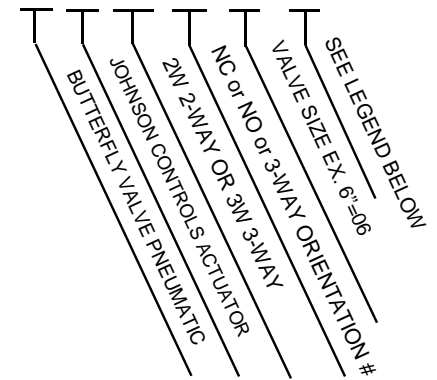


JOHNSON CONTROLS 



For Best Modulating Control Results Automated Butterfly Valves Are Adjusted For 70 Deg. Max. Opening

BVP-JCI -3W -X -XX -PP-BS-B



Legend

RF = Retrofit Kit
 PP = Positive Positioner
 BS = Valve Bump Switch
 SS = Stainless Rod Ends & Bolts
 B = Bray, K = Keystone



WESLEY VALVE CO.

MFGRS OF AUTOMATED BUTTERFLY VALVES
 4938 S. Atlanta Rd., Ste. 100
 Atlanta, GA 30339
 PHN: (404) 351-8744
 FAX: (404) 351-9340
www.wesleyvalve.com