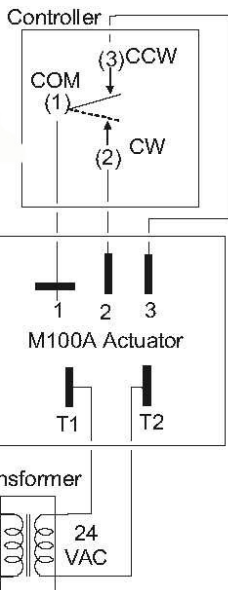
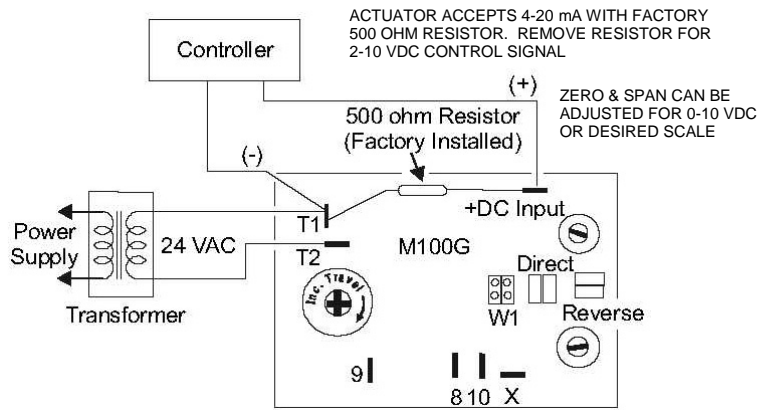




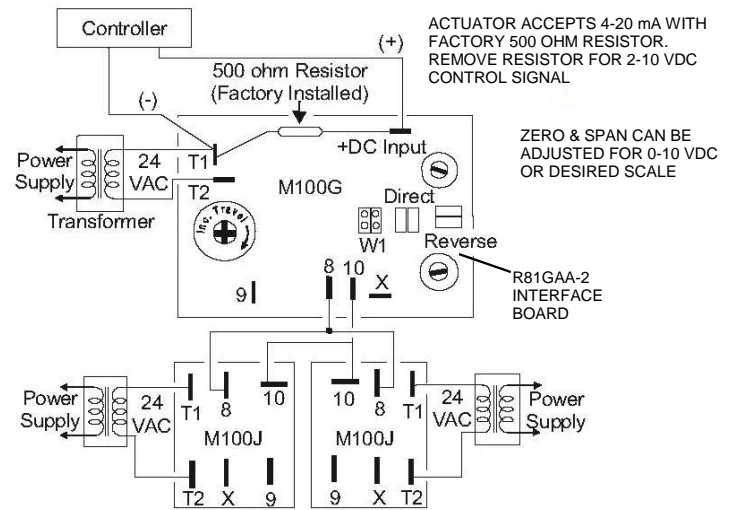
GEAR TRAIN NON SPRING RETURN ACTUATORS



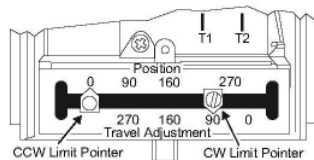
WIRING FOR FLOATING CONTROL ACTUATOR (AGA)



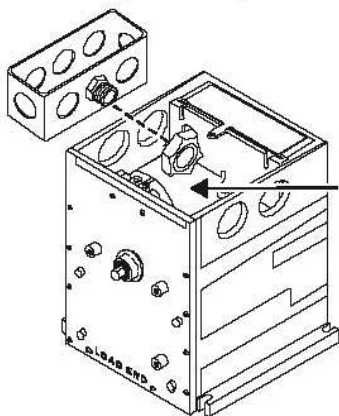
MODULATING ACTUATOR (GGA) WITH R81GAA-2 INTERFACE BOARD



MULTIPLE MODULATING ACTUATORS (GGA) "SLAVING"



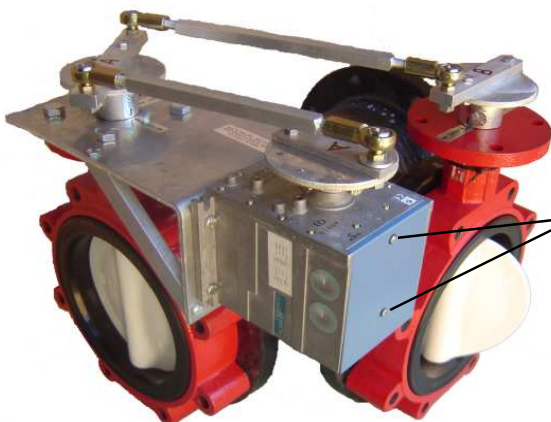
**ACTUATOR TRAVEL
ADJUSTMENT**



**Wiring
Compartment**

ACTUATOR WIRING COMPARTMENT

- ACTUATOR ACCESSORIES**
- Y68AA-1 120/24 VAC 40 VAC Transformer
 - Y68DA-1 240/24 VAC 40 VAC Transformer
 - Y68HA-1 24/24 VAC 40 VAC Transformer
 - S91DJ-1 SPDT Auxiliary Sw Kit
 - S91EJ-1 (2) SPDT Auxiliary Sw Kit
 - S91PT-1 1000 OHM 1/3 Watt Auxiliary Potentiometer Kit
 - CVR83A-600R Weather Cover Kit



REMOVE THE ACTUATOR COVER BY LOOSENING THE 2 SCREWS SHOWN TO GET TO THE WIRING COMPARTMENT



WESLEY VALVE CO.

MFGRS OF AUTOMATED BUTTERFLY VALVES
4938 S. Atlanta Rd., Ste. 100
Smyrna, GA 30080
PHN: (404) 351-8744 FAX: (404) 351-9340
WWW.WESLEYVALVE.COM