

Existing Butterfly Valve Retrofit Worksheet

For Pneumatic or Electric Actuation

See a price or data sheet for selecting a part number

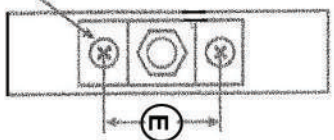
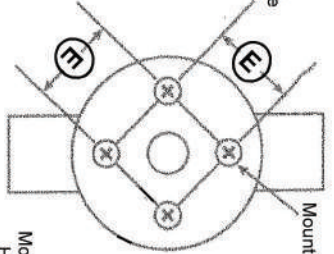
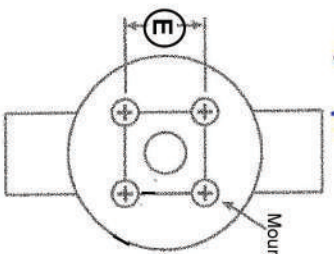
Valve Body Manufacturer
List Co. Name if Possible _____

Please Supply Dimensional Data
Listed and Return to Us

Style _____ E _____ F _____ G _____ H _____ S _____

Note: "H" Dimension is for Valve Stems that are
Flatted on each side (Double D)

Existing Butterfly Valve Yoke Mounting Hole Styles



Full Stem Diameter Dimension
If Stem is Round then just provide Dimension G (H is not Necessary)



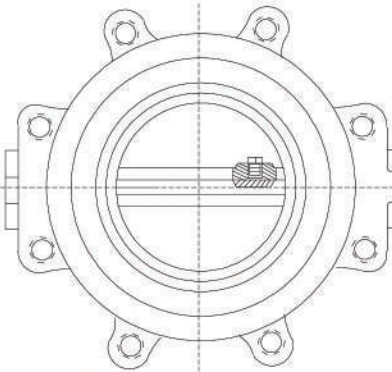
Stem is flatted on each side



Flat to Flat Side Dimension

Stem Height Dimension

Valve Size Or Diameter



We have Experience in Retrofitting Keystone, Bray, Nibco, Milwaukee, and Crane Butterfly Valves

TEST EXISTING VALVE
Manually Open & Close Valve with a Short Wrench (8" Maximum Handle length)
If Valve is Physically Difficult to Open & Close, Install Valve Assembly with New Valve Body



NEMA 4

AVAILABLE ACTUATORS

Johnson Controls
Honeywell

Schneider Electric

SIEMENS
BELIMO

REPLACING A FAILED BOWLER HAT ACTUATOR?
CONSIDER RETROFITTING IT WITH THE MORE RELIABLE Commercial Control ACTUATOR ASSEMBLIES AS SHOWN

WESLEY VALVE CO.

MFGRS OF AUTOMATED BUTTERFLY VALVES
4938 S. Atlanta Rd., Ste. 100
Atlanta, GA 300339
PHN: (404) 351-8744 FAX: (404) 351-9340
WWW.WESLEYVALVE.COM